

# Technical data sheet

Hat profile rail 15 x 5 mm

Item number: 1115286



Hat profile rail 15 x 5 mm to DIN EN 60715 (formerly DIN EN 50045).



**St** Steel

**GTP** Electrogalvanized, transparently passivated

## Master data

Item number	1115286
Type	46277 T350 L GTP
Description 1	Top hat rail
Description 2	for terminal block fastening
Manufacturer	OBO
Dimension	168x15x7,5
Material	Steel
Surface	Electrogalvanized, transparently passivated
Surface standard	
Smallest sales unit	10
Unit of quantity	Piece
Weight	3 kg
Weight unit	kg/100 pc.

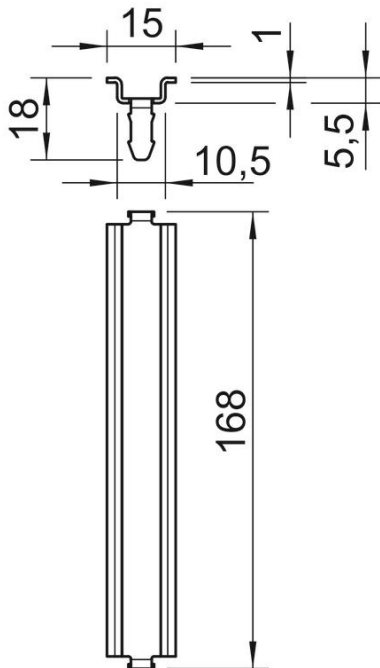
# Technical data sheet

Hat profile rail 15 x 5 mm

Item number: 1115286



## Dimensions



Length	168 mm
Width	15 mm
Height	5 mm

## Technical data

Version for	For T 350 lengthwise
Version, rails	Support rail DIN EN 60715
Hole shape (ETIM)	Without
Material thickness	1 mm