

# Technical data sheet

## Sprint screw, with Torx

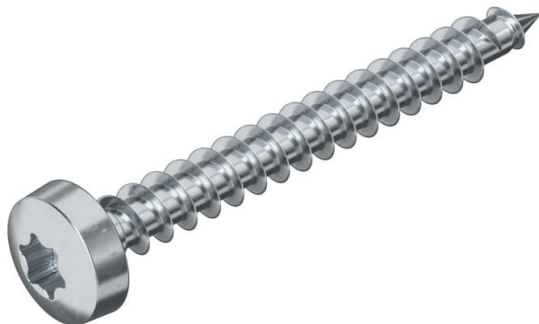
Item number: 3198026



Hardened steel, electrogalvanized and Hostaflon-coated. Pan head with T bit (Allen head), sizes Ø 3 mm T10, Ø 3.5 mm T15, Ø 4 and 4.5 mm T20, Ø 5 mm T25.

The use of Sprint screws leads to considerably reduced screw-in times compared with standard screws. This noticeable advantage comes from the point with the first thread, which leads on to the double thread beyond.

Areas of use: wood, chipboard, Rigips panels, plastic anchors.



**St** Steel

**G** Electrogalvanized

### Master data

Item number	3198026
Type	4758T 3.5x40
Description 1	Sprint screw
Description 2	panhead, T-drive
Manufacturer	OBO
Dimension	3,5x40mm
Material	Steel
Surface	Electrogalvanized
Surface standard	EN ISO 19598 / EN ISO 4042
Smallest sales unit	200
Unit of quantity	Piece
Weight	0.208 kg
Weight unit	kg/100 pc.

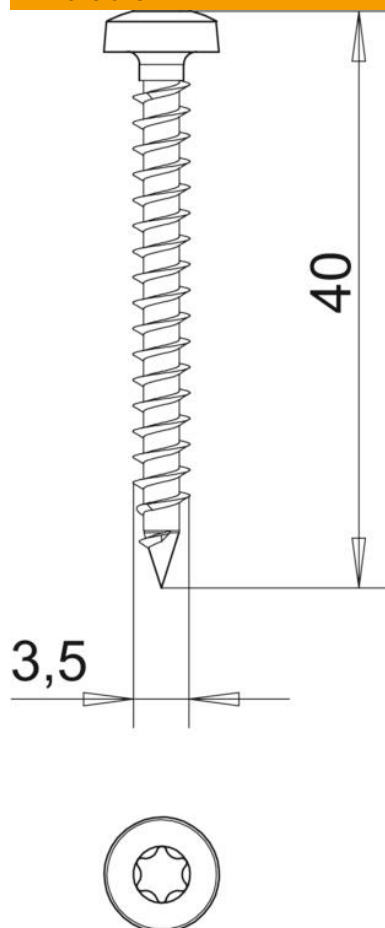
# Technical data sheet

Sprint screw, with Torx

Item number: 3198026



## Dimensions



Length	40 mm
Dimension D	3.5 mm
Dimension L	40 mm

## Technical data

Hardened	yes
Head diameter	6.5 mm
Head shape	Panhead
Screw system	Torx
Two-compartment	yes