

# Technical data sheet

## Fastening clip 605, medium duty, G

Item number: 1018361



Two lobe fastening clips for cables and pipes.  
\* Sizes 7 to 12 not suitable for bolt-firing tool.



**St** Steel

**G** Electrogalvanized

### Master data

Item number	1018361
Type	605 37 G
Description 1	Fastening clip
Description 2	two lobe
Manufacturer	OBO
Dimension	37mm
Material	Steel
Surface	Electrogalvanized
Surface standard	EN ISO 19598 / EN ISO 4042
Smallest sales unit	100
Unit of quantity	Piece
Weight	2.007 kg
Weight unit	kg/100 pc.

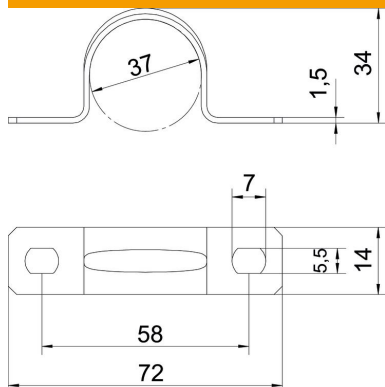
# Technical data sheet

## Fastening clip 605, medium duty, G

Item number: 1018361



### Dimensions



Length	72 mm
Width	14 mm
Height	34 mm
Dimension A	72 mm
Dimension B	58 mm
Dimension b	14 mm
Dimension D	37 mm
Dimension d	5.5 mm
Dimension e	7 mm
Dimension H	34 mm
Dimension t	1.5 mm

### Technical data

Distance to the wall	no
Number of cables/pipes	1
Version for	Two-lobe
Fastening type	Screw hole
For diameter	37
Suitable in fire protection area	no
Halogen-free	yes
Plastic-covered	no
Hole size	5,5 x 7 mm
Material thickness	1.5 mm
Nominal diameter	37 mm
UV-resistant	yes