

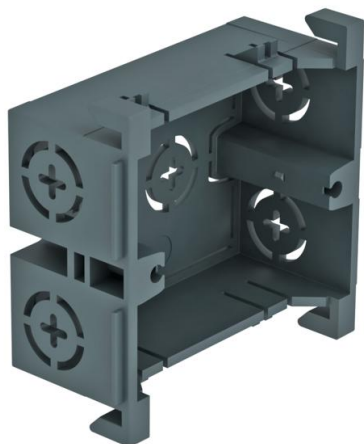
Technical data sheet

Accessory mounting box, British Standard, single

Item number: 6288585



Front-locking, single device installation socket for British Standard switch systems. Insertion opening for cable diameters of max. 17 mm. Can be used in all device installation trunking of the Rapid 80 series and ISS service poles with 76.5 mm system opening.



PA Polyamide

Master data

Item number	6288585
Type	71GDBS1
Description 1	Accessory mounting box
Description 2	single, British Standard
Manufacturer	OBO
Dimension	35x76x77
Colour	Iron grey; RAL 7011
Material	Polyamide
Smallest sales unit	10
Unit of quantity	Piece
Weight	3.3 kg
Weight unit	kg/100 pc.

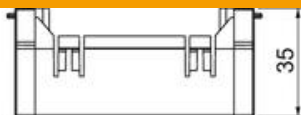
Technical data sheet

Accessory mounting box, British Standard, single

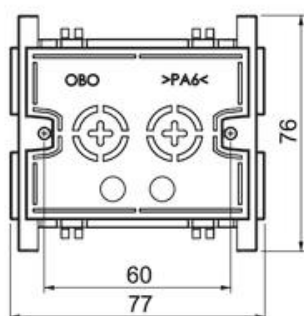
Item number: 6288585



Dimensions



Length	77 mm
Width	76 mm
Height	35 mm



Technical data

Number of units	1
Version for	Closed
Fastening track	Other
Halogen-free	yes
With connection compartment	yes
Box mounting type	Front
Accessory mounting type	Bolts
Strain relief option	yes