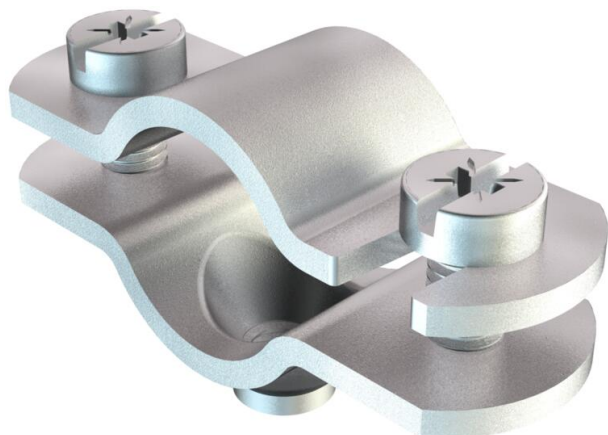


# Technical data sheet

## Screw-in spacer clip

Item number: 1366203



With M6 thread.



**St** Steel

**G** Electrogalvanized

### Master data

Item number	1366203
Type	731 W 20 G
Description 1	Distance saddle
Description 2	with threaded connection M6
Manufacturer	OBO
Dimension	16-20mm
Material	Steel
Surface	Electrogalvanized
Surface standard	EN ISO 19598 / EN ISO 4042
Smallest sales unit	50
Unit of quantity	Piece
Weight	3.124 kg
Weight unit	kg/100 pc.

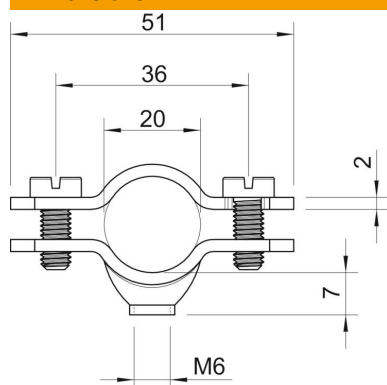
# Technical data sheet

## Screw-in spacer clip

Item number: 1366203



### Dimensions



Length	51 mm
Dimension A	51 mm
Dimension B	36 mm
Dimension D	20 mm
Dimension d min.	20 mm
Dimension t	2 mm

### Technical data

Number of cables/pipes	1
Version for	Closed
Fastening type	Screw hole
Suitable in fire protection area	no
Halogen-free	no
Plastic-covered	no
Hole size	M6 mm
Material thickness	2 mm
Bolt	M5 x 14
Clamping range D, max.	20 mm
Clamping range D, min.	16 mm
UV-resistant	yes