

# Technical data sheet

## Strain relief clip 7902

Item number: 1436015



Fastening clip for strain relief of cables

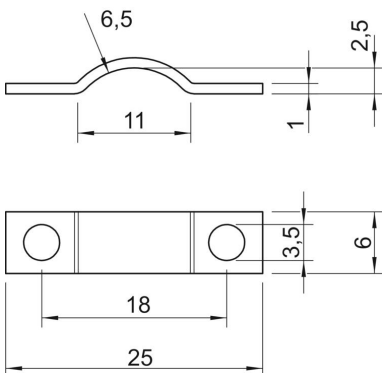


- St** Steel
- G** Electrogalvanized

### Master data

Item number	1436015
Type	7902 6 G
Description 1	Strain relief clip
Manufacturer	OBO
Dimension	6,5mm
Material	Steel
Surface	Electrogalvanized
Surface standard	EN ISO 19598 / EN ISO 4042
Smallest sales unit	100
Unit of quantity	Piece
Weight	0.096 kg
Weight unit	kg/100 pc.

### Dimensions



Length	25 mm
Width	6 mm
Height	2.5 mm
Dimension a	11 mm
Dimension b	6 mm
Dimension d	3.5 mm
Dimension h	2.5 mm
Dimension L	25 mm
Dimension l	18 mm
Dimension R	6.5 mm
Dimension t	1 mm

# Technical data sheet

## Strain relief clip 7902

Item number: 1436015



### Technical data

Distance to the wall	no
Number of cables/pipes	1
Version for	Two-lobe
Fastening type	Screw hole
For diameter	6,5
Suitable in fire protection area	no
Halogen-free	yes
Plastic-covered	no
Hole size	3,5 mm
Material thickness	1 mm
Clamping range D, max.	6.5 mm
Clamping range D, min.	6.5 mm
UV-resistant	yes