

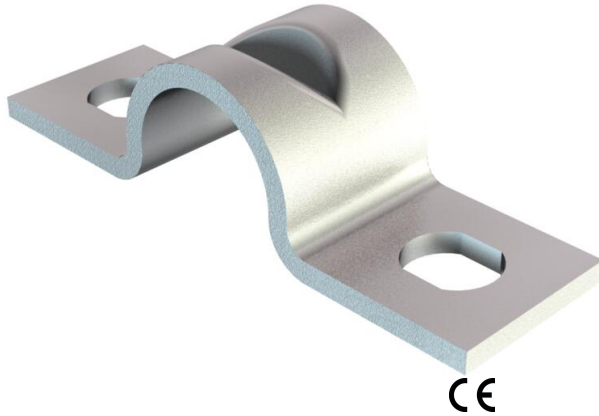
Technical data sheet

Strain relief clip 7904

Item number: 1438018



Fastening clip for strain relief of cables

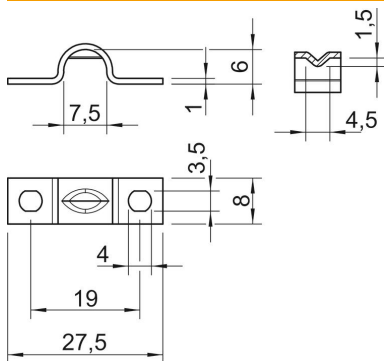


- St** Steel
- G** Electrogalvanized

Master data

Item number	1438018
Type	7904 6 G
Description 1	Strain relief clip
Manufacturer	OBO
Dimension	6mm
Material	Steel
Surface	Electrogalvanized
Surface standard	EN ISO 19598 / EN ISO 4042
Smallest sales unit	100
Unit of quantity	Piece
Weight	0.185 kg
Weight unit	kg/100 pc.

Dimensions



Length	27.5 mm
Width	8 mm
Height	6 mm
Dimension a	7.5 mm
Dimension b	8 mm
Dimension b1	4.5 mm
Dimension d	4 mm
Dimension f	3.5 mm
Dimension h	6 mm
Dimension H1 (mm)	1.5
Dimension L	27.5 mm
Dimension l	19 mm
Dimension t	1 mm

Technical data sheet

Strain relief clip 7904

Item number: 1438018



Technical data

Distance to the wall	no
Number of cables/pipes	1
Version for	Two-lobe
Fastening type	Screw hole
For diameter	6
Suitable in fire protection area	no
Halogen-free	yes
Plastic-covered	no
Hole size	3,5x4 mm
Material thickness	1 mm
Nominal diameter	6 mm
Clamping range D, max.	6 mm
Clamping range D, min.	6 mm
UV-resistant	yes