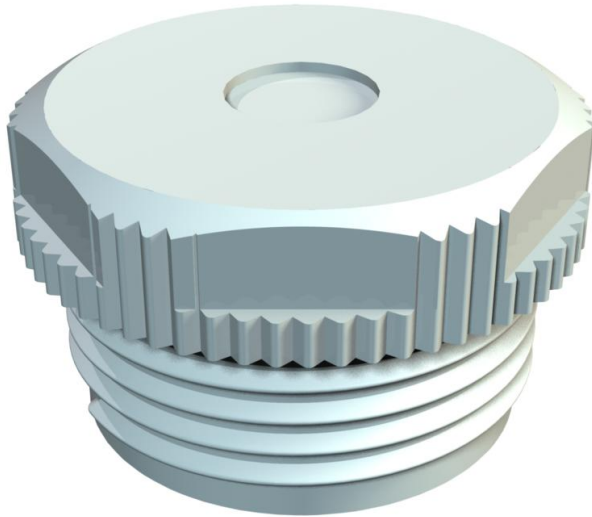


# Technical data sheet

## Screw-in nipple, PG thread, with perforation membrane

Item number: 2032503



With perforation membrane, the opening D is pre-marked, but closed.

Grip seal to screw into PG thread to DIN 40430.

With self-sealing cone at the end of the thread, therefore no connection thread sealing ring required. Protection rating achievable with careful mounting: IP54. With perforation membranes, the opening D is pre-marked, but closed.



**PE** Polyethylene

### Master data

Item number	2032503
Type	90 PG 9 DSMB
Description 1	Screw-in nipple
Description 2	with puncture membrane
Manufacturer	OBO
Dimension	PG9
Colour	Light grey; RAL 7035
Material	Polyethylene
Smallest sales unit	100
Unit of quantity	Piece
Weight	0.156 kg
Weight unit	kg/100 pc.

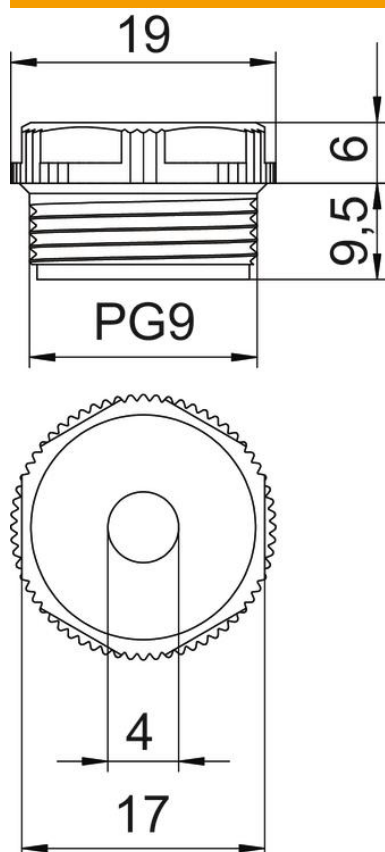
# Technical data sheet

Screw-in nipple, PG thread, with perforation membrane



Item number: 2032503

## Dimensions



Dimension D	4 mm
Dimension E	19 mm
Dimension L1	9.5 mm
Dimension L2	6 mm

## Technical data

Thread length	9.5 mm
Size	Pg 9
Halogen-free	yes
WAF	17
Protection rating	IP54