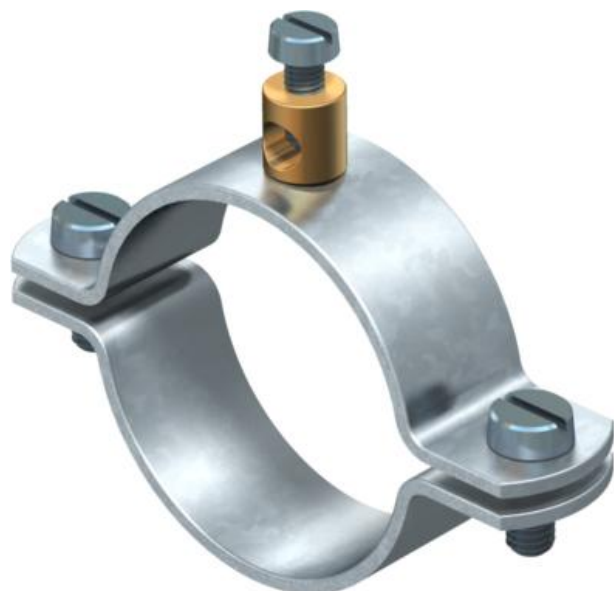


Technical data sheet

Earthing clamp, type 925

Item number: 5040116



- For pipes 1/4"-1 1/2" or Ø 11.5-48.3 mm
- Connection options: conductors to 16 mm² with connecting terminal, riveted with brass
and 1 cylinder bolt M5 x 12
- To 1 1/2" with 2 cylinder bolts M6 x 16 (G)

St Steel

G Electrogalvanized

Master data

| | |
|---------------------|----------------------------------|
| Item number | 5040116 |
| Type | 925 1 |
| Description 1 | Earthing clamp |
| Description 2 | for cables to 16 mm ² |
| Manufacturer | OBO |
| Dimension | 1" |
| Material | Steel |
| Surface | Electrogalvanized |
| Surface standard | EN ISO 19598 / EN ISO 4042 |
| Smallest sales unit | 25 |
| Unit of quantity | Piece |
| Weight | 5.956 kg |
| Weight unit | kg/100 pc. |

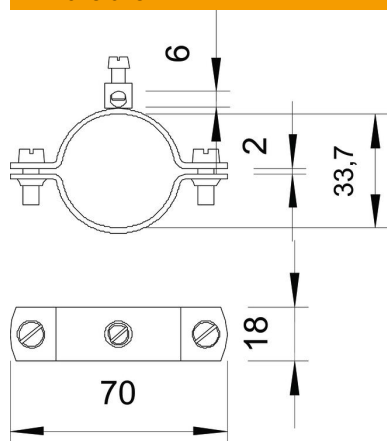
Technical data sheet

Earthing clamp, type 925

Item number: 5040116



Dimensions



| | |
|-------------|---------|
| Dimension A | 70 mm |
| Dimension b | 18 mm |
| Dimension D | 33.7 mm |
| Dimension X | 2 mm |

Technical data

| | |
|--|--------------------|
| Number of conductors | 1 |
| Cross-section of cable to be connected, max. | 16 mm ² |
| Cross-section of cable to be connected, min. | 0 mm ² |
| Clamping range D | 1 |
| Clamping range D, max. | 33.7 mm |
| Clamping range D, min. | 31.7 mm |