

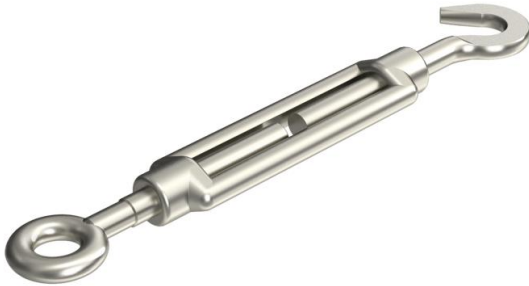
Technical data sheet

Tension jack A4

Item number: 5300124



With hook and eye, to DIN 1480.



A4 Stainless steel

2B Bright, treated

Master data

Item number	5300124
Type	945 M10 A4
Description 1	Tensioner
Manufacturer	OBO
Dimension	M10
Material	Stainless steel
Surface	Bright, treated
Surface standard	
Smallest sales unit	5
Unit of quantity	Piece
Weight	28 kg
Weight unit	kg/100 pc.

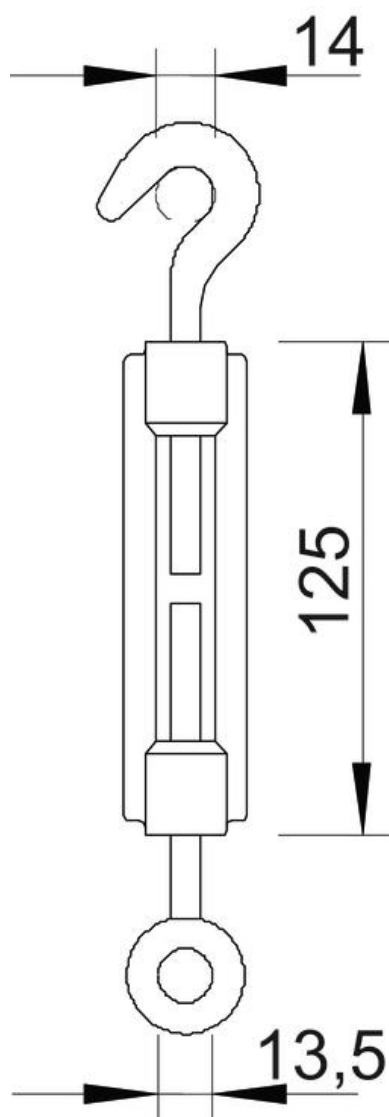
Technical data sheet

Tension jack A4

Item number: 5300124



Dimensions



Dimension A	14 mm
Dimension B	13.5 mm
Dimension C	125 mm

Technical data

Breaking load	5 kN
Thread	M10
Length of clamping nut C	125 mm
Span width	80 mm