

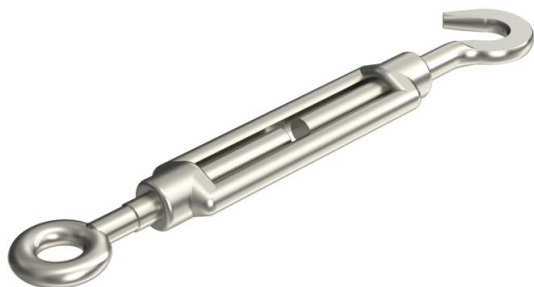
Technical data sheet

Tension jack A4

Item number: 5300132



With hook and eye, to DIN 1480.



A4 Stainless steel

2B Bright, treated

Master data

Item number	5300132
Type	945 M16 A4
Description 1	Tensioner
Manufacturer	OBO
Dimension	M16
Material	Stainless steel
Surface	Bright, treated
Surface standard	
Smallest sales unit	5
Unit of quantity	Piece
Weight	100 kg
Weight unit	kg/100 pc.

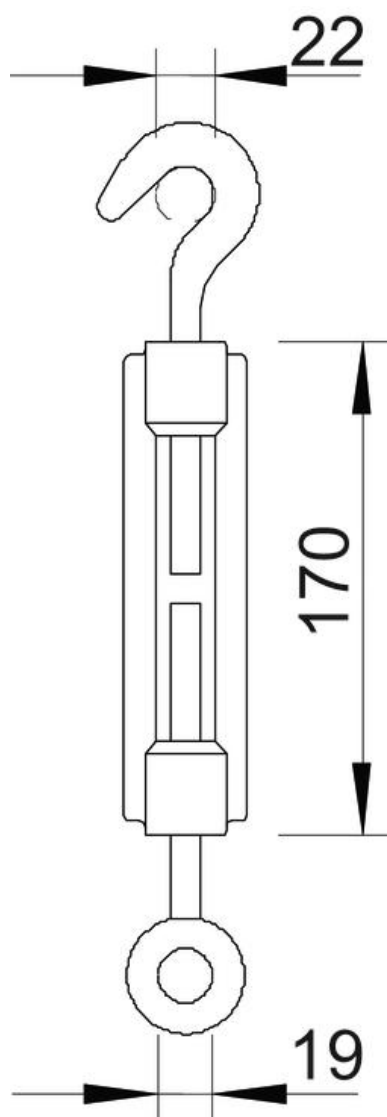
Technical data sheet

Tension jack A4

Item number: 5300132



Dimensions



Dimension A	22 mm
Dimension B	19 mm
Dimension C	170 mm

Technical data

Breaking load	10 kN
Thread	M16
Length of clamping nut C	170 mm
Span width	110 mm