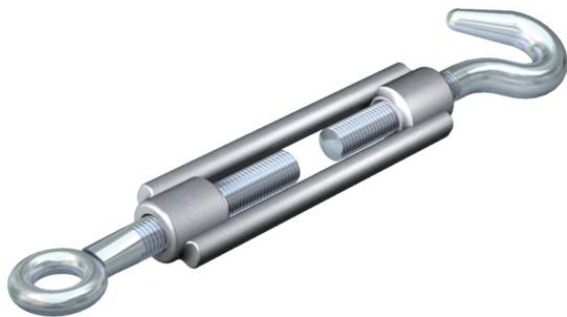


Technical data sheet

Tension jack G

Item number: 5300037



With hook and eye, to DIN 1480.

CE

- St** Steel
- G** Electrogalvanized

Master data

Item number	5300037
Type	945 M6 G
Description 1	Tensioner
Manufacturer	OBO
Dimension	M6
Material	Steel
Surface	Electrogalvanized
Surface standard	EN ISO 19598 / EN ISO 4042
Smallest sales unit	5
Unit of quantity	Piece
Weight	8.642 kg
Weight unit	kg/100 pc.

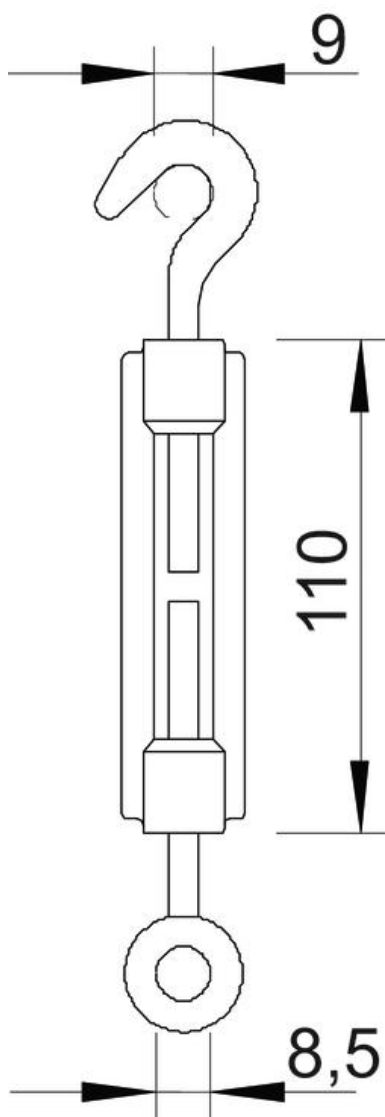
Technical data sheet

Tension jack G

Item number: 5300037



Dimensions



Dimension A	9 mm
Dimension B	8.5 mm
Dimension C	110 mm

Technical data

Breaking load	2 kN
Thread	M6
Length of clamping nut C	110 mm
Span width	80 mm