

# Technical data sheet

## Suspension bracket for wide span systems

Item number: 6363886



Suspension bracket to suspend cable trays and cable ladders to previously installed wide span systems. Can be used indoors and outdoors. Cable trays or cable ladders can be mounted both in a lengthwise and a transverse direction beneath previously installed wide span systems. Optional mounting in conjunction with C profile rail or U profile.

For suspension on wide span cable trays or cable ladders with rectangular rail top edge.

The statics and the load limit values of the cable supports, on which the additional cable trays or cable ladders are suspended, must be taken into account.



**St** Steel

**FT** Hot-dip galvanised

### Master data

Item number	6363886
Type	AHB 22 314 FT
Description 1	Suspension bracket
Description 2	for wide span systems
Manufacturer	OBO
Dimension	46x30x314
Material	Steel
Surface	Hot-dip galvanised
Surface standard	DIN EN ISO 1461
Smallest sales unit	4
Unit of quantity	Piece
Weight	25.5 kg
Weight unit	kg/100 pc.

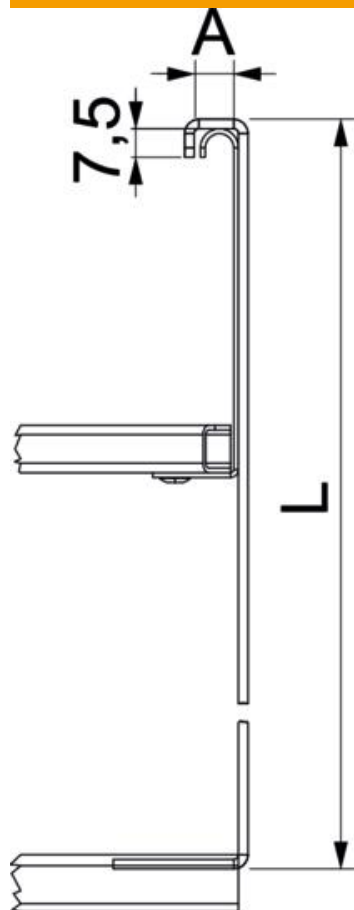
# Technical data sheet

## Suspension bracket for wide span systems

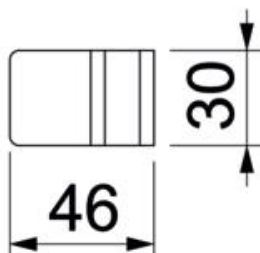
Item number: 6363886



### Dimensions



Length	314 mm
Width	30 mm
Dimension A	22 mm
Dimension B	30 mm
Dimension L	314 mm



# Technical data sheet

## Suspension bracket for wide span systems

Item number: 6363886



### Technical data

Maintain electrical functions	no
Suitable for mesh cable tray	no
Suitable for cable ladder	yes
Suitable for cable tray	yes
Material thickness	3 mm
With screw accessories	no
Rustproof steel, pickled	no