

Technical data sheet

AML3518 anchor rail, slot 16.5 mm, FS, perforated

Item number: 1119646



Central C profile rail for cable routing, in conjunction with clamp clips with a hammerhead foot. Can also be used as suspension construction for cable support systems.



St Steel

FS Strip galvanized

Master data

Item number	1119646
Type	AML3518P1000FS
Description 1	Profile rail
Description 2	perforated, slot 16.5mm
Manufacturer	OBO
Dimension	1000x35x18
Material	Steel
Surface	Strip galvanized
Surface standard	DIN EN 10346
Smallest sales unit	1
Unit of quantity	Metre
Weight	82 kg
Weight unit	kg/100 m

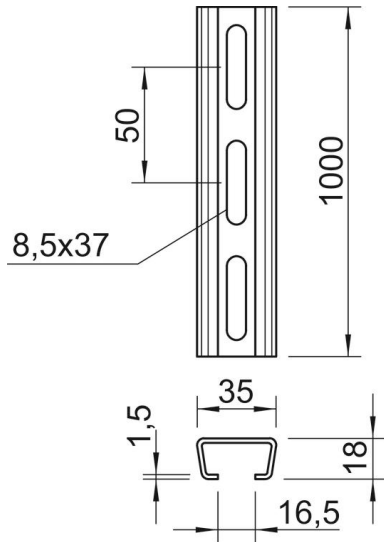
Technical data sheet

AML3518 anchor rail, slot 16.5 mm, FS, perforated

Item number: 1119646



Dimensions



Length	1,000 mm
Width	35 mm
Height	18 mm
Dimension L	1,000 mm

Technical data

Breakable	no
Type of perforation	Perforated back
Version for	Single profile
Drill hole spacing, centre	50 mm
Maintain electrical functions	no
Material thickness	1.5 mm
With perforation	yes
With tothing	no
Profile shape	C profile
Slot width	16.5 mm
Static value A	1.01 cm ²
Static value Iy	0.44 cm
Static value Iz	1.84 cm
Static value Wy	0.42 cm ²
Static value Wz	1.05 cm ²