

Technical data sheet

Antenna connection, 1 module, TV/radio/SAT, antenna socket, pure white
Item number: 6105282



Socket for antenna, BK and satellite reception systems with connection for TV and radio.

Frequency: 5–2150 MHz

Heat attenuation: 5-862 MHz - 1dB

950-2150 MHz - 2 dB

Return channel attenuation: 14 dB

EMC protection class A

PC Polycarbonate

Master data

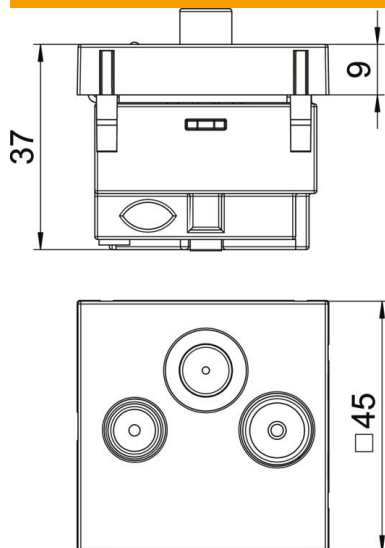
Item number	6105282
Type	ANT-3SD RW1
Description 1	Antenna socket
Description 2	single socket, Radio-TV-SAT
Manufacturer	OBO
Dimension	45x45mm
Colour	Pure white; RAL 9010
Material	Polycarbonate
Smallest sales unit	1
Unit of quantity	Piece
Weight	11.596 kg
Weight unit	kg/100 pc.

Technical data sheet

Antenna connection, 1 module, TV/radio/SAT, antenna socket, pure white
Item number: 6105282



Dimensions



Dimension	45 x 45
-----------	---------

Technical data

Number of units	1
Version for	Socket