

Technical data sheet

Cover plate, 1.5x, for GESRM2

Item number: 7405427



Cover plate for GESRM2 to accept 1.5 Modul 45.



PA Polyamide

Master data

Item number	7405427
Type	AP1.5 GESRM2
Description 1	Cover plate
Description 2	for GESRM2
Manufacturer	OBO
Dimension	72x85x14
Colour	Graphite black; RAL 9011
Material	Polyamide
Smallest sales unit	1
Unit of quantity	Piece
Weight	1.46 kg
Weight unit	kg/100 pc.

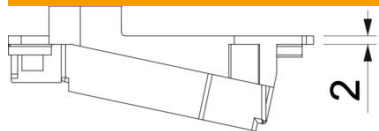
Technical data sheet

Cover plate, 1.5x, for GESRM2

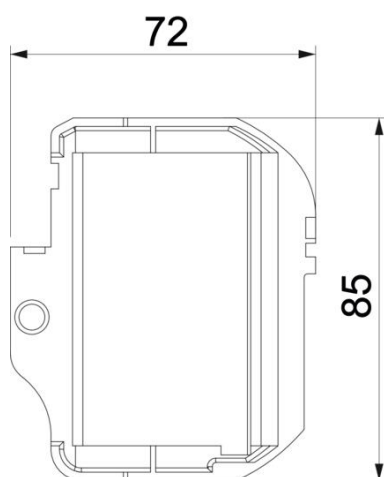
Item number: 7405427



Dimensions



Length	72 mm
Width	85 mm
Height	14 mm



Technical data

Application	Mounting box
Number of installable devices	1.5
Fastening type	Lockable
Device type	Miscellaneous
Strain relief option	yes