

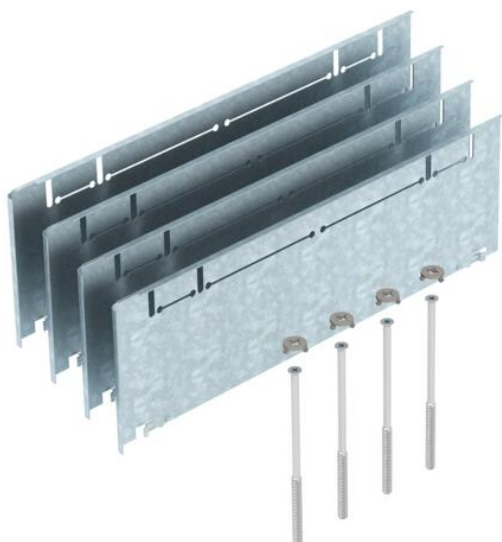
# Technical data sheet

Height compensation set for UZD350-3 with height 70–125 mm

Item number: 7410156



Height compensation set for underfloor boxes UZD350-3 with a construction height of 70 to 125 mm, consisting of four fall plates, four height adjustment screws and four rotary locks.



**St** Steel

**FS** Strip galvanized

## Master data

Item number	7410156
Type	ASH350-3 B165220
Description 1	Height construction set
Description 2	for screed height 165+55mm
Manufacturer	OBO
Material	Steel
Surface	Strip galvanized
Surface standard	DIN EN 10346
Smallest sales unit	1
Unit of quantity	Piece
Weight	151.5 kg
Weight unit	kg/100 pc.

# Technical data sheet

Height compensation set for UZD350-3 with height 70–125 mm

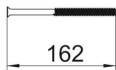
Item number: 7410156



## Dimensions



Dimension A	430 mm
Dimension B	130 mm
Dimension I	162 mm



## Technical data

Version for	Square
Floor plate	no
Lowerable to be flush-floor	no
Seal installation option	no
Installation opening for on-floor tank	no
Decouplable	no
Screed height, max.	220 mm
Screed height, min.	165 mm
For pipe connection	no
Suitable for raised floor installation	no
Suitable for screed-flush closed underfloor ducts	no
Suitable for screed-covered underfloor ducts	yes
Suitable for cavity floor installation	no
Suitable for underfloor ducts	no
Trunking width, max.	350 mm
Trunking width, min.	150 mm
Height-adjustment range, max.	220 mm
Height-adjustment range, min.	165 mm