

# Technical data sheet

## Spacer clip 733 ALU

Item number: 1362804



Spacer clip for the installation of pipes and cables on walls, ceilings and floors. With self-locking upper part. Fastening via slot. From the clip size of 20 suitable for installation with a nail device or bolt-firing device.

Approved for the maintenance of electrical function to DIN 4102 Part 12, maintenance of electrical function classes E30 to E90 (except ALU).



**Alu** Aluminium

### Master data

Item number	1362804
Type	ASL 733 10 ALU
Description 1	Distance saddle
Description 2	with slot
Manufacturer	OBO
Dimension	8-10mm
Material	Aluminium
Smallest sales unit	25
Unit of quantity	Piece
Weight	0.917 kg
Weight unit	kg/100 pc.

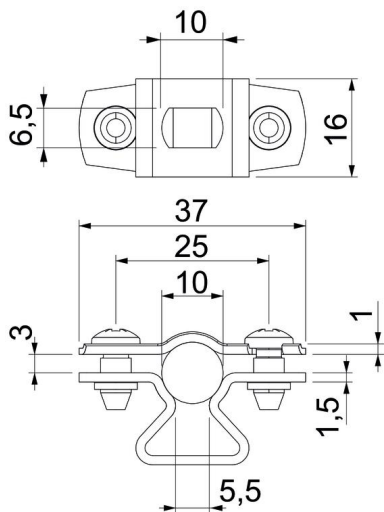
# Technical data sheet

## Spacer clip 733 ALU

Item number: 1362804



### Dimensions



Dimension A	37 mm
Dimension B	25 mm
Dimension b	16 mm
Dimension D	10 mm
Dimension d max.	10 mm
Dimension d min.	8 mm
Dimension L	10 mm
Dimension s	5.5 mm
Dimension t1 (mm)	1
Dimension t2 (mm)	1.5
Dimension x	3 mm

### Technical data

Distance to the wall	yes
Number of cables/pipes	1
Version for	Closed
Fastening type	Screw hole
For diameter	8 - 10
Halogen-free	yes
Plastic-covered	no
Material thickness	1.5 mm
Clamping range D, max.	10 mm
Clamping range D, min.	8 mm
UV-resistant	yes