

Technical data sheet

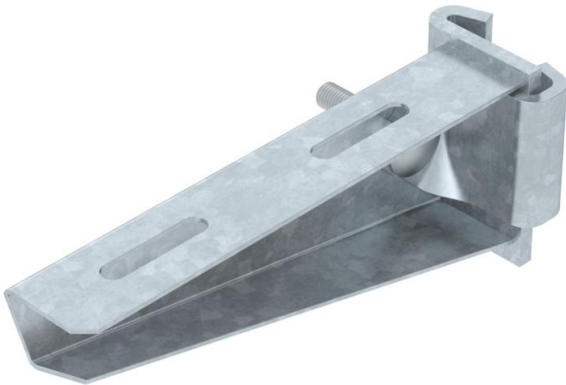
Support bracket AS 30

Item number: 6419376



Medium-duty support bracket for infinitely adjustable fastening on IS 8 support. The support bracket can be fastened to both sides of the I support.

The individual clamping lug, including bolt, nut and washer can also be ordered separately under the item no. 6419007.



St Steel

FT Hot-dip galvanised

Master data

Item number	6419376
Type	AS 30 16 FT
Description 1	Support bracket
Description 2	for IS 8 support
Manufacturer	OBO
Dimension	B160mm
Material	Steel
Surface	Hot-dip galvanised
Surface standard	DIN EN ISO 1461
Smallest sales unit	1
Unit of quantity	Piece
Weight	37 kg
Weight unit	kg/100 pc.

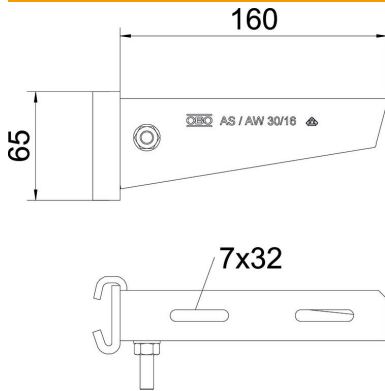
Technical data sheet

Support bracket AS 30

Item number: 6419376



Dimensions

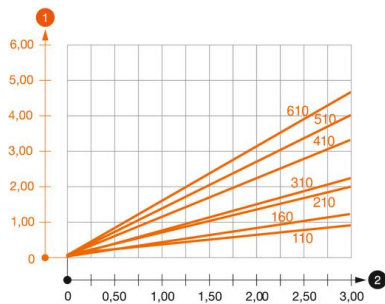


Length	160 mm
Width	160 mm
Height	65 mm
Dimension B	160 mm
Dimension H	65 mm
Dimension L	160 mm

Technical data

Version for	Support bracket
F in kN	3 kN
Maintain electrical functions	no
Rustproof steel, pickled	no

Loads



Load diagram, bracket type AS 30

- 1 Bending of the bracket tip at permitted bracket load
- 2 Permitted bracket load in kN without man load
- Load curve with bracket lengths in mm