

# Technical data sheet

## Wall bracket, variable AWV FT

Item number: 6419593



Variable wall bracket for fixing to sloping or vaulted walls.  
Usable bracket length dependent on adjustment angle. The largest possible adjustment angle is 30°.



**St** Steel

**FT** Hot-dip galvanised

### Master data

Item number	6419593
Type	AWV 51 FT
Description 1	Wall bracket, variable
Manufacturer	OBO
Dimension	B510mm
Material	Steel
Surface	Hot-dip galvanised
Surface standard	DIN EN ISO 1461
Smallest sales unit	1
Unit of quantity	Piece
Weight	209 kg
Weight unit	kg/100 pc.

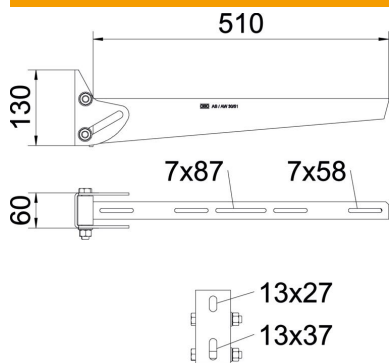
# Technical data sheet

## Wall bracket, variable AWV FT

Item number: 6419593



### Dimensions



Length	510 mm
Width	510 mm
Height	130 mm
Dimension A	60 mm
Dimension B	510 mm
Dimension H	130 mm
Dimension L	510 mm

### Technical data

Version for	Wall brackets
F in kN	0.9 kN
Maintain electrical functions	no
for width max.	90 mm
for width min.	60
Hole diameter	13 mm
Rustproof steel, pickled	no