

# Technical data sheet

## Fastening element for cable tray

Item number: 2007835



The fastening element BE TS KR can be used to attach OBO junction boxes, type T60 and T100, to all standard cable trays in a few actions, quickly and without tools.

This keeps the junction box securely in position. However, it can be quickly dismantled as necessary. This is all done without using tools.



**PC** Polycarbonate

### Master data

Item number	2007835
Type	BE TS KR
Description 1	Fastening element T60-T100
Description 2	for cable trays
Manufacturer	OBO
Colour	Light grey
Material	Polycarbonate
Smallest sales unit	10
Unit of quantity	Piece
Weight	2.8 kg
Weight unit	kg/100 pc.

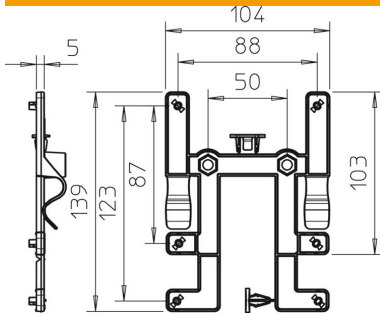
# Technical data sheet

## Fastening element for cable tray

Item number: 2007835



### Dimensions



Width	104 mm
Height	139 mm

### Technical data

Version for	Horizontal
Fastening type	Clamp fastening
Rustproof steel, pickled	no