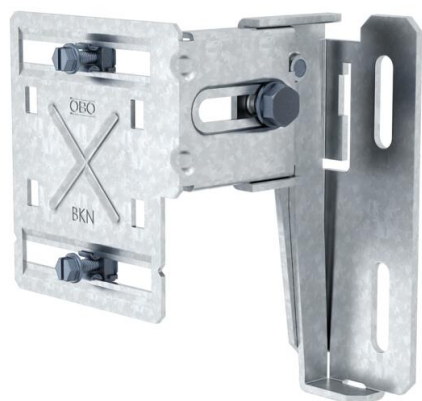


Technical data sheet

Fastening panels

Item number: 6288005



Fastening panel for mounting device installation trunking on skirting board constructions and as a support for the convection grid. The fastening panel can be used for all Rapid 80 device installation trunking systems of type GK and GA. When mounting plastic GK device installation trunking, the matching wall panel adapter is also required. The connection profile is required for mounting double trunking of type GS-D70170 and GS-D90170, as well as for GS trunking with a nominal width of 210 mm.

The mesh slats are simply attached to the slat holder.



St Steel

FS Strip galvanized

Master data

| | |
|---------------------|------------------|
| Item number | 6288005 |
| Type | BKN120 205 |
| Description 1 | Fixing panel |
| Description 2 | depth 120-205 |
| Manufacturer | OBO |
| Dimension | 140x128x205 |
| Material | Steel |
| Surface | Strip galvanized |
| Surface standard | DIN EN 10346 |
| Smallest sales unit | 1 |
| Unit of quantity | Piece |
| Weight | 68 kg |
| Weight unit | kg/100 pc. |

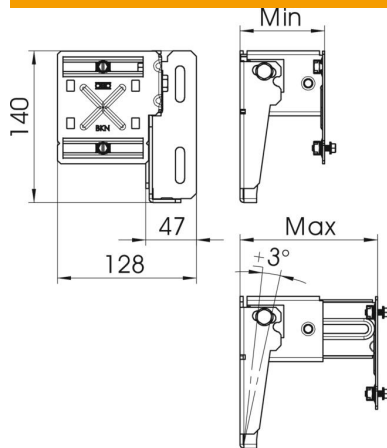
Technical data sheet

Fastening panels

Item number: 6288005



Dimensions



| | |
|--------|--------|
| Length | 205 mm |
| Width | 128 mm |
| Height | 140 mm |

Technical data

| | |
|-------------------------|---------------|
| Version for | 120–205 mm |
| Version for | Wall mounting |
| Fastening type | Screw-on |
| Trunking mounting | Screw |
| Spacing from wall, max. | 205 mm |
| Spacing from wall, min. | 120 mm |