

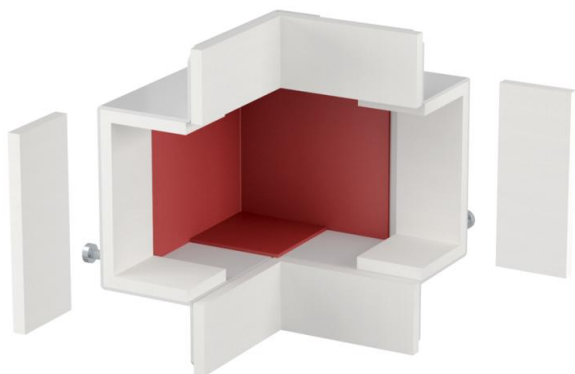
# Technical data sheet

## External corner

Item number: 7216504



Fitting hood to cover two BSKM 0407 duct ends as external corner for direct wall and ceiling mountings. Including glued-in seals for closing the joints and loose seals when combining with lock plate.



**St** Steel

**L** Painted

### Master data

Item number	7216504
Type	BSKM-AE 0407 RW
Description 1	External corner
Description 2	for wall and ceiling mounting
Manufacturer	OBO
Dimension	40x70
Colour	Pure white; RAL 9010
Material	Steel
Surface	Painted
Surface standard	
Smallest sales unit	1
Unit of quantity	Piece
Weight	60.7 kg
Weight unit	kg/100 pc.

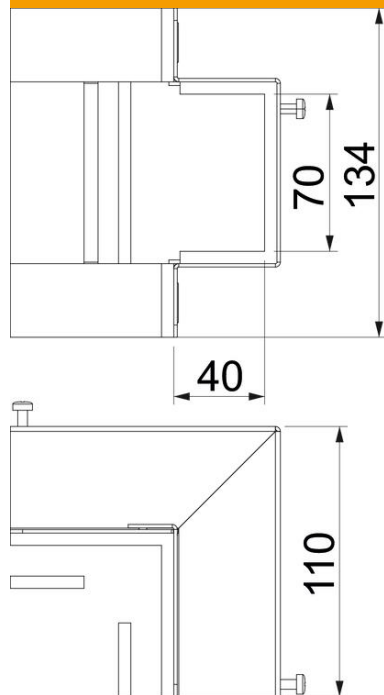
# Technical data sheet

## External corner

Item number: 7216504



### Dimensions



Dimension A	134 mm
Dimension B	70 mm
Dimension H	40 mm
Dimension t	110 mm

### Technical data

Number of flammable sides	3
Cover fastening	Miscellaneous
Fire resistance class I - installation duct	120
With perforation	no
Partitions possible	no
Jacketing	Steel
Material of the insulation	Miscellaneous
Angle of the bend	90 °