

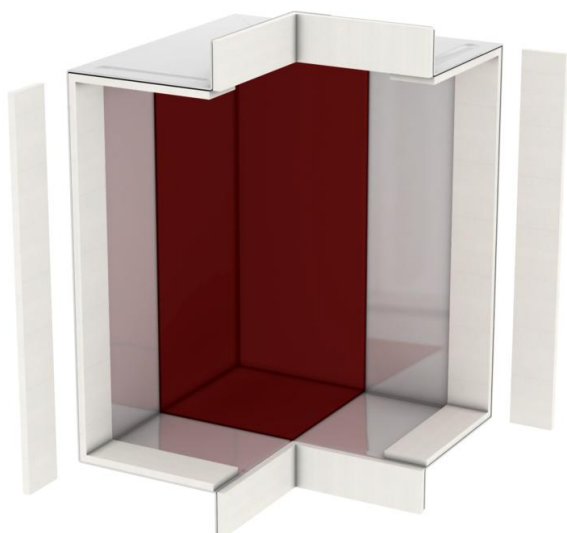
Technical data sheet

External corner

Item number: 7216636



Fitting hood to cover two BSKM 1025 duct ends as external corner for direct wall and ceiling mountings. Including glued-in seals for closing the joints and loose seals when combining with lock plate.



St Steel

L Painted

Master data

Item number	7216636
Type	BSKM-AE 1025RW
Description 1	External corner
Description 2	for wall and ceiling mounting
Manufacturer	OBO
Dimension	100x250
Colour	Pure white; RAL 9010
Material	Steel
Surface	Painted
Surface standard	
Smallest sales unit	1
Unit of quantity	Piece
Weight	214.7 kg
Weight unit	kg/100 pc.

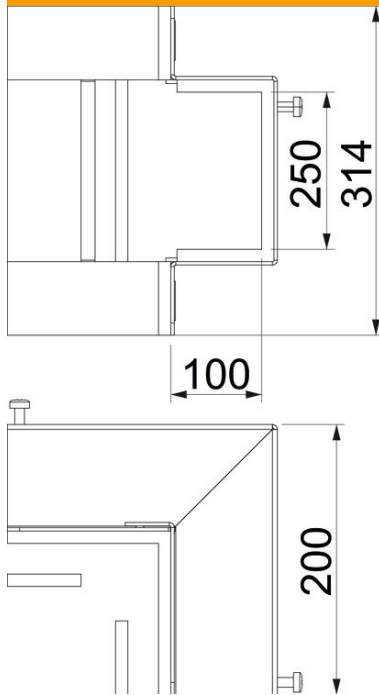
Technical data sheet

External corner

Item number: 7216636



Dimensions



Dimension A	314 mm
Dimension B	250 mm
Dimension H	100 mm
Dimension t	200 mm

Technical data

Number of flammable sides	3
Cover fastening	Miscellaneous
Fire resistance class I - installation duct	120
With perforation	no
Partitions possible	no
Jacketing	Steel
Material of the insulation	Miscellaneous
Angle of the bend	90 °