

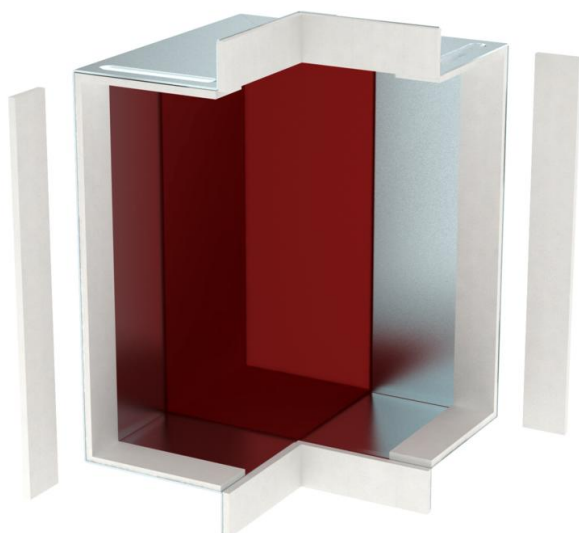
# Technical data sheet

## External corner

Item number: 7216420



Fitting hood to cover two BSKM 1025 duct ends as external corner for direct wall and ceiling mountings. Including glued-in seals for closing the joints and loose seals when combining with lock plate.



**St** Steel

**FS** Strip galvanized

### Master data

Item number	7216420
Type	BSKM-AE 1025 FS
Description 1	External corner
Description 2	for wall and ceiling mounting
Manufacturer	OBO
Dimension	100x250
Material	Steel
Surface	Strip galvanized
Surface standard	DIN EN 10346
Smallest sales unit	1
Unit of quantity	Piece
Weight	245.3 kg
Weight unit	kg/100 pc.

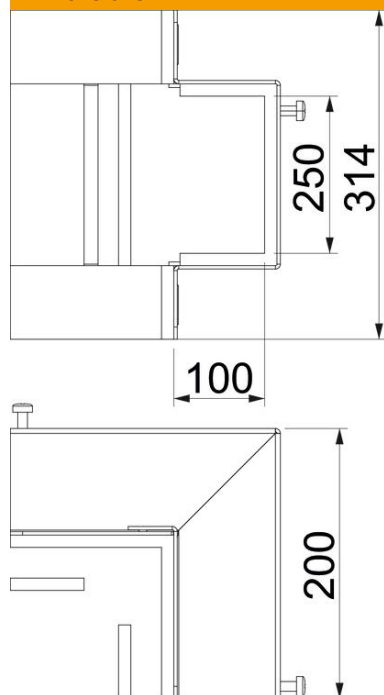
# Technical data sheet

## External corner

Item number: 7216420



### Dimensions



Dimension A	314 mm
Dimension B	250 mm
Dimension H	100 mm
Dimension t	200 mm

### Technical data

Number of flammable sides	3
Cover fastening	Miscellaneous
Fire resistance class I - installation duct	120
With perforation	no
Partitions possible	no
Jacketing	Steel
Material of the insulation	Miscellaneous
Angle of the bend	90 °