

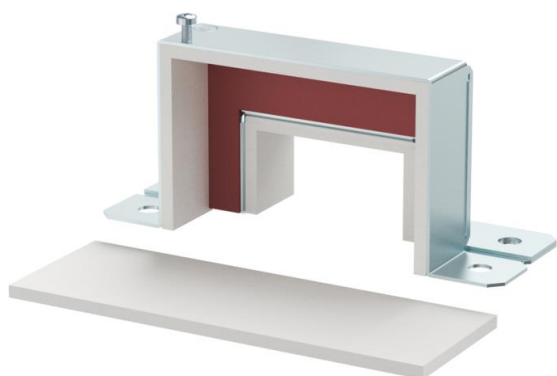
# Technical data sheet

## Reducer hood

Item number: 7216393



Fitting hood to cover a symmetrical reduction on a straight stretch of BSKM 0711 to BSKM 0407. Including glued-in seals for closing the joints and loose seals when combining with lock plate; screws for equipotential bonding also included.



**St** Steel

**FS** Strip galvanized

### Master data

Item number	7216393
Type	BSKM-RE 0711 FS
Description 1	Reducer
Description 2	for wall and ceiling mounting
Manufacturer	OBO
Dimension	70x110
Material	Steel
Surface	Strip galvanized
Surface standard	DIN EN 10346
Smallest sales unit	1
Unit of quantity	Piece
Weight	31.5 kg
Weight unit	kg/100 pc.

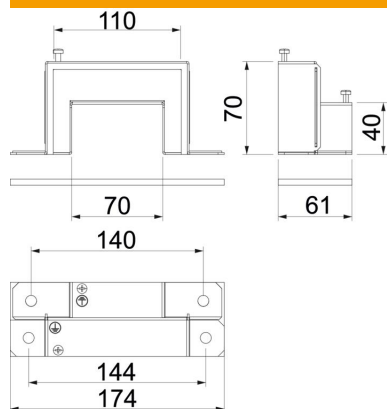
# Technical data sheet

## Reducer hood

Item number: 7216393



### Dimensions



Dimension A	174 mm
Dimension B	110 mm
Dimension d	140 mm
Dimension e	144 mm
Dimension h	40 mm
Dimension H	70 mm
Dimension t	61 mm

### Technical data

Fire resistance class I - installation duct	120
---	-----