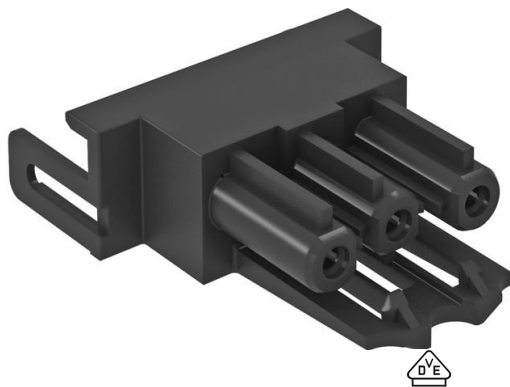


Technical data sheet

Connection adapter, straight, socket part

Item number: 6117190



Connector part adapter, straight, for connection to an STD-D0C / STD-D3C or STD-F0C / STD-F3C socket from the side, for VL extension cable with Wieland connector GST 18i 3p.



PA Polyamide

Master data

Item number	6117190
Type	BTA-SKS S1 SW
Description 1	Socket part adapter, straight
Description 2	GST 18i 3p, Modul 45connect
Manufacturer	OBO
Colour	Black
Material	Polyamide
Smallest sales unit	10
Unit of quantity	Piece
Weight	1.2 kg
Weight unit	kg/100 pc.

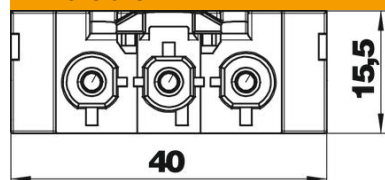
Technical data sheet

Connection adapter, straight, socket part

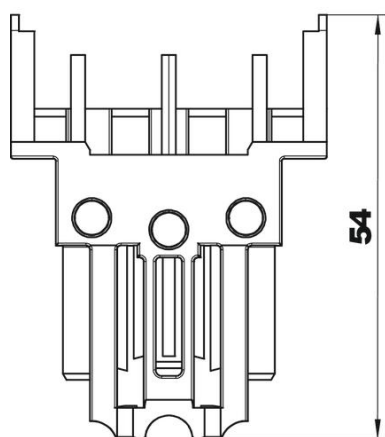
Item number: 6117190



Dimensions



Length	54 mm
Width	40 mm
Height	15.5 mm



Technical data

Type of locking	Integrated in plug connector
Version of the device connection	socket
Built-in variants	Installation part/plug connection
Colour of the coding/contact insert	Black
Colour of the separate adapter	Black
Thread connection dimension	No threaded connection
Halogen-free	yes
Contact material	CuZn
Mechanical encoding	yes
Angle of inclination, max.	0 °
Angle of inclination, min.	0 °
Nominal voltage	250 V
Nominal current	16 A
Surface treatment of the contacts	Tin-plated
Pin labelling	L, N, PE
Pole number	3
Protection rating	IP20
Direction of insertion	Straight
Plug-in system	GST18