

Technical data sheet

Fastening bracket BW 64

Item number: 6019682



Light-duty fastening bracket of limb dimension 64 x 32 mm.



CE

St Steel

FT Hot-dip galvanised

Master data

Item number	6019682
Type	BW 64 32 FT
Description 1	Fastening bracket
Description 2	lightweight version
Manufacturer	OBO
Dimension	60x64x32
Material	Steel
Surface	Hot-dip galvanised
Surface standard	DIN EN ISO 1461
Smallest sales unit	10
Unit of quantity	Piece
Weight	7.7 kg
Weight unit	kg/100 pc.

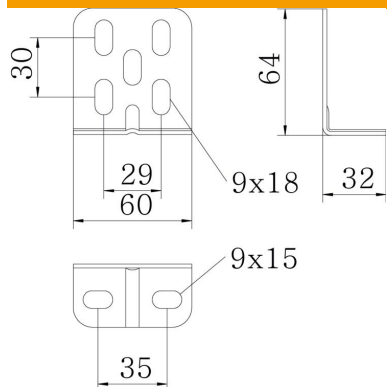
Technical data sheet

Fastening bracket BW 64

Item number: 6019682



Dimensions



Length	60 mm
Width	64 mm
Height	32 mm

Technical data

Version for	Fastening bracket
Maintain electrical functions	no
Suitable for profile shapes	U profile
With screw accessories	no
Adjustable	no