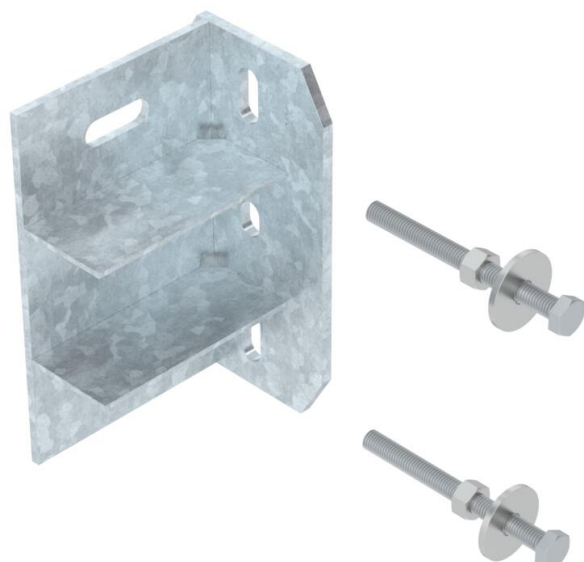


Technical data sheet

Fastening bracket BW US 7 FT

Item number: 6019532



Fastening bracket for the creation of individual support structures with U supports.
Suitable for U support, type US 7.
Including fastening material.

CE

St Steel

FT Hot-dip galvanised

Master data

Item number	6019532
Type	BW US 7 FT
Description 1	Fastening bracket
Description 2	for US 7 support
Manufacturer	OBO
Dimension	200x120
Material	Steel
Surface	Hot-dip galvanised
Surface standard	DIN EN ISO 1461
Smallest sales unit	5
Unit of quantity	Piece
Weight	249 kg
Weight unit	kg/100 pc.

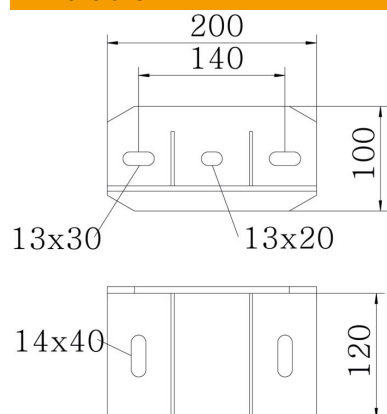
Technical data sheet

Fastening bracket BW US 7 FT

Item number: 6019532



Dimensions



Length	200 mm
Width	100 mm
Height	127 mm

Technical data

Version for	Fastening bracket
Maintain electrical functions	no
Suitable for profile shapes	U profile
Material thickness	3 mm
With screw accessories	yes
Adjustable	yes