

Technical data sheet

Stand-off bracket FS

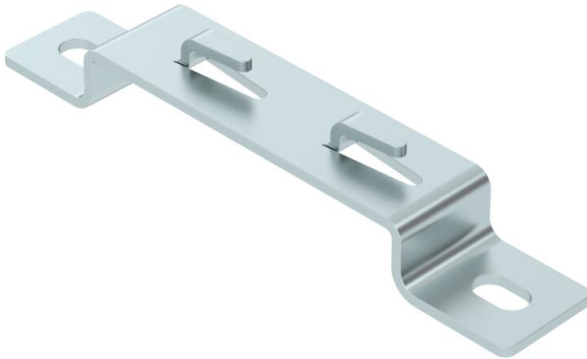
Item number: 6015654



Stand-off bracket for stand-off of mesh cable trays on the floor or on the wall.

GRM mesh cable tray types with side heights of 35, 55 and 105 mm can be mounted onto the stand-off bracket.

Screwless fastening of the mesh cable tray on the stand-off bracket.



St Steel

FS Strip galvanized

Master data

Item number	6015654
Type	DBLG 20 100 FS
Description 1	Stand-off bracket
Description 2	for mesh cable tray
Manufacturer	OBO
Dimension	B100mm
Material	Steel
Surface	Strip galvanized
Surface standard	DIN EN 10346
Smallest sales unit	20
Unit of quantity	Piece
Weight	12.076 kg
Weight unit	kg/100 pc.

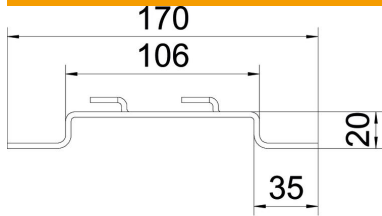
Technical data sheet

Stand-off bracket FS

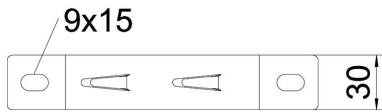
Item number: 6015654



Dimensions



Height	20 mm
Height	0.79 in
Dimension A	30 mm
Dimension B	106 mm
Dimension L	170 mm



Technical data

Version for	Wall/ceiling clamp, trapezoidal profile
Suitable for mesh cable tray	yes
Suitable for cable ladder	no
Suitable for cable tray	no
Tray fastening	Retaining lug