

Technical data sheet

Cover for 90° vertical bend 60, falling, A2

Item number: 7130952



Cover for falling vertical bends of side height 60 mm.
The fastening is guaranteed by the overlap of the cable tray covers. The cover can also be fastened using cover clamps.



A2 Stainless steel

2B Bright, treated

Master data

| | |
|---------------------|-----------------------------|
| Item number | 7130952 |
| Type | DBV 60 100 F A2 |
| Description 1 | Cover for 90° vertical bend |
| Description 2 | falling |
| Manufacturer | OBO |
| Dimension | B100mm |
| Material | Stainless steel |
| Surface | Bright, treated |
| Surface standard | |
| Smallest sales unit | 1 |
| Unit of quantity | Piece |
| Weight | 42.1 kg |
| Weight unit | kg/100 pc. |

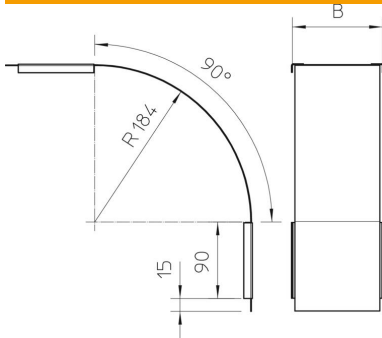
Technical data sheet

Cover for 90° vertical bend 60, falling, A2

Item number: 7130952



Dimensions



| | |
|-----------------|---------|
| Width | 100 mm |
| Width | 4 in |
| Height | 60 mm |
| Plate thickness | 0.03 in |
| Plate thickness | 0.75 mm |
| Dimension B | 100 mm |

Technical data

| | |
|-------------------------------|-------------------|
| Bend (angle) | 90° |
| Fastening type | Sash lock |
| Maintain electrical functions | no |
| Suitable for mesh cable tray | no |
| Suitable for cable ladder | no |
| Suitable for cable tray | yes |
| Change of direction | Vertical, falling |
| Rustproof steel, pickled | no |
| Hinged | no |