

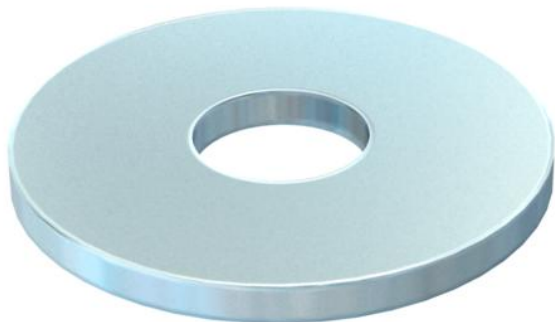
Technical data sheet

Large washer F

Item number: 6408729



Washer of particularly large outer diameter.



CE

St Steel

F Hot galvanized

Master data

Item number	6408729
Type	DIN440 11 F
Description 1	Washer
Description 2	to DIN 440
Manufacturer	OBO
Dimension	M10
Material	Steel
Surface	Hot galvanized
Surface standard	DIN 267, Teil 10
Smallest sales unit	100
Unit of quantity	Piece
Weight	1.852 kg
Weight unit	kg/100 pc.

Dimensions

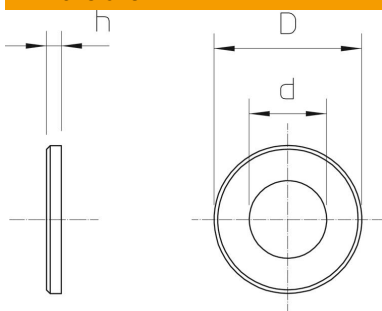


Plate thickness	0.12 in
Dimension D	1.34 in
Dimension d	0.43 in
Dimension d	11 mm
Dimension d max.	34 mm
Dimension d min.	34 mm
Dimension h	3 mm

Technical data sheet

Large washer F

Item number: 6408729



Technical data

Faceted	no
Hardened	no
Thread	M10
Inner diameter	11 mm
Hole diameter	11 mm
Material thickness	3 mm
Hole shape	Round