

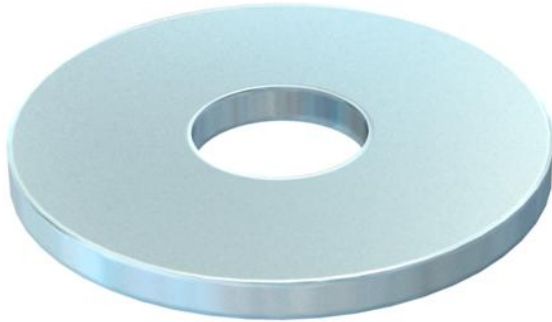
Technical data sheet

Large washer F

Item number: 6408737



Washer of particularly large outer diameter.



St Steel

F Hot galvanized

Master data

Item number	6408737
Type	DIN440 14 F
Description 1	Washer
Description 2	to DIN 440
Manufacturer	OBO
Dimension	M12
Material	Steel
Surface	Hot galvanized
Surface standard	DIN 267, Teil 10
Smallest sales unit	50
Unit of quantity	Piece
Weight	4.736 kg
Weight unit	kg/100 pc.

Dimensions

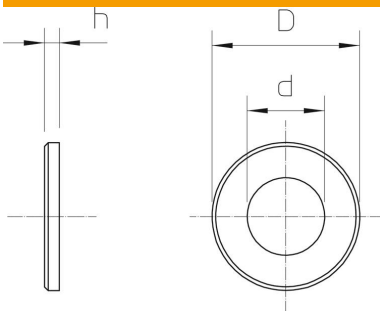


Plate thickness	0.16 in
Dimension D	1.73 in
Dimension d	0.53 in
Dimension d	13.5 mm
Dimension d max.	44 mm
Dimension d min.	44 mm
Dimension h	4 mm

Technical data sheet

Large washer F

Item number: 6408737



Technical data

Faceted	no
Hardened	no
Thread	M12
Inner diameter	13.5 mm
Hole diameter	13.5 mm
Material thickness	4 mm
Hole shape	Round