

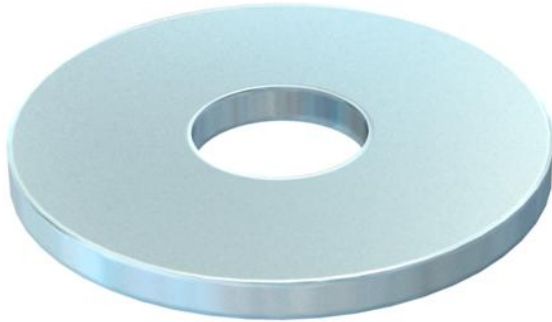
Technical data sheet

Large washer F

Item number: 6408710



Washer of particularly large outer diameter.



St Steel

F Hot galvanized

Master data

Item number	6408710
Type	DIN440 9 F
Description 1	Washer
Description 2	to DIN 440
Manufacturer	OBO
Dimension	M8
Material	Steel
Surface	Hot galvanized
Surface standard	DIN 267, Teil 10
Smallest sales unit	100
Unit of quantity	Piece
Weight	1.057 kg
Weight unit	kg/100 pc.

Dimensions

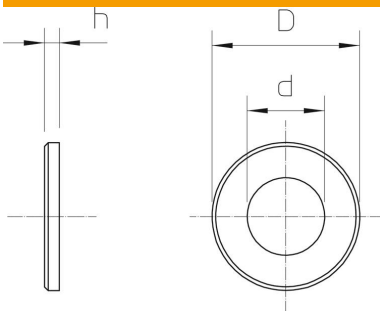


Plate thickness	0.12 in
Dimension D	1.1 in
Dimension d	0.35 in
Dimension d	9 mm
Dimension d max.	28 mm
Dimension d min.	28 mm
Dimension h	3 mm

Technical data sheet

Large washer F

Item number: 6408710



Technical data

Faceted	no
Hardened	no
Thread	M8
Inner diameter	9 mm
Hole diameter	9 mm
Material thickness	3 mm
Hole shape	Round