

Technical data sheet

Drilling screw DIN 7504

Item number: 3176428



Self-tapping, with Philips.



St Steel

G Electrogalvanized

Master data

Item number	3176428
Type	DIN 7504 N G
Description 1	Drilling screw
Description 2	cross-head drive
Manufacturer	OBO
Dimension	4,8x16mm
Material	Steel
Surface	Electrogalvanized
Surface standard	EN ISO 19598 / EN ISO 4042
Smallest sales unit	100
Unit of quantity	Piece
Weight	0.25 kg
Weight unit	kg/100 pc.

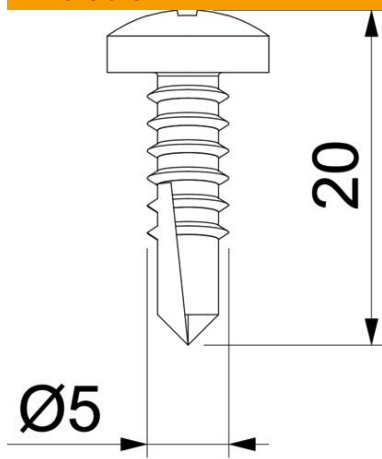
Technical data sheet

Drilling screw DIN 7504

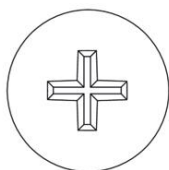
Item number: 3176428



Dimensions



Length	16 mm
Dimension D	4.8 mm
Dimension L	16 mm



Technical data

Thread diameter ST	4.8
Head shape	Flat sphere
Screw system	Phillips PH