

Technical data sheet

Mounting lid 350, nominal size RM2

Item number: 7400502



Mounting lid for underfloor junction and branch box of type UZD350-3 for the installation of a GESRM2 installation unit.



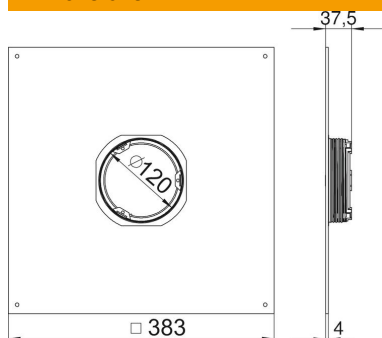
St Steel

FS Strip galvanized

Master data

Item number	7400502
Type	DUG 350-3 RM2
Description 1	Mounting lid
Description 2	350-2/3 for GESRM2
Manufacturer	OBO
Dimension	382x382x4
Material	Steel
Surface	Strip galvanized
Surface standard	DIN EN 10346
Smallest sales unit	1
Unit of quantity	Piece
Weight	466 kg
Weight unit	kg/100 pc.

Dimensions



Length	383 mm
Width	383 mm
Dimension A	383 mm
Dimension d Ø	120 mm

Technical data sheet

Mounting lid 350, nominal size RM2

Item number: 7400502



Technical data

Mounting opening cover	no
Floor care	Dry
Seal installation option	no
Installation opening for on-floor tank	no
Suitable for screed-flush closed underfloor ducts	no
Suitable for screed-covered underfloor ducts	yes
Trunking width, max.	350 mm
Trunking width, min.	190 mm
Material thickness	4 mm
Mounting opening	Round
Nominal size	350 mm
Heavy-duty version	no