

Technical data sheet

Plug-in seal for pipes, light grey

Item number: 2011506



Plug-in seal for junction boxes for direct insertion of metric pipes



TPE Thermoplastic elastomer

Master data

Item number	2011506
Type	EDR 25 16-20 LGR
Description 1	Plug-in seal
Description 2	for pipes
Manufacturer	OBO
Dimension	Ø25/16-20
Colour	Light grey; RAL 7035
Material	Thermoplastic elastomer
Smallest sales unit	50
Unit of quantity	Piece
Weight	0.52 kg
Weight unit	kg/100 pc.

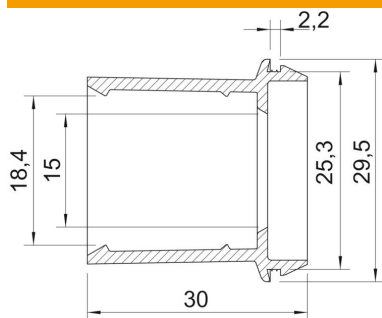
Technical data sheet

Plug-in seal for pipes, light grey

Item number: 2011506



Dimensions



Dimension A	2.2 mm
Dimension D1	29.5 mm
Dimension D2	25.3 mm
Dimension D3	15 mm
Maß D4	18.4 mm
Dimension L	30 mm

Technical data

Version for	Open
for diameter, max.	20 mm
for diameter, min.	16 mm
for wall thickness, max.	2.2
for wall thickness, min.	2.2
Size	M25
Halogen-free	yes
Nominal diameter	25 mm
Protection rating	IP55