

Technical data sheet

EDS plug-in seal, light black

Item number: 2012342



The push-in nipple can be cut back to suit the relevant cable diameter.



TPE Thermoplastic elastomer

Master data

Item number	2012342
Type	EDS M25 SW
Description 1	Plug-in seal
Description 2	for 3-mm wall thickness
Manufacturer	OBO
Dimension	M25
Colour	Black
Material	Thermoplastic elastomer
Smallest sales unit	100
Unit of quantity	Piece
Weight	0.193 kg
Weight unit	kg/100 pc.

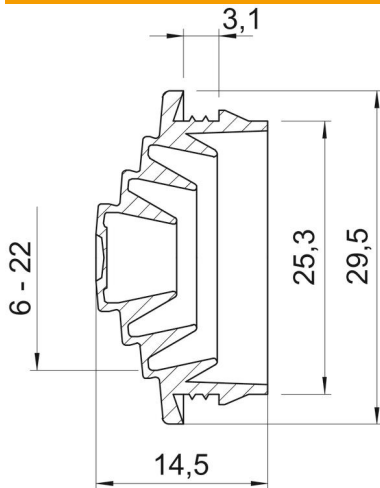
Technical data sheet

EDS plug-in seal, light black



Item number: 2012342

Dimensions



Dimension A	3.1 mm
Dimension D1	29.5 mm
Dimension D2	25.3 mm
Dimension D3	6 mm
Maß D4	10 mm
Dimension D5	15 mm
Dimension D6	20
Dimension D7	22
Dimension L	14.5 mm
Dimension t	3.1 mm

Technical data

Version for	Cutttable
Flame-resistant	acc. to VDE 0471/DIN 695 Part 2-1, test temperature 650°C
for diameter, max.	22 mm
for diameter, min.	0 mm
for wall thickness, max.	3.1
for wall thickness, min.	2.5
Size	M25
Halogen-free	yes
Nominal diameter	25 mm
Protection rating	IP54