

Technical data sheet

Plug-in seal EDVS, light grey

Item number: 2012383



The push-in nipple can be cut back to suit the relevant cable diameter.



EVA Ethylene vinyl acetate

Master data

Item number	2012383
Type	EDVS M25 LGR
Description 1	Plug-in seal
Manufacturer	OBO
Dimension	M25
Colour	Light grey; RAL 7035
Material	Ethylene vinyl acetate
Smallest sales unit	100
Unit of quantity	Piece
Weight	0.179 kg
Weight unit	kg/100 pc.

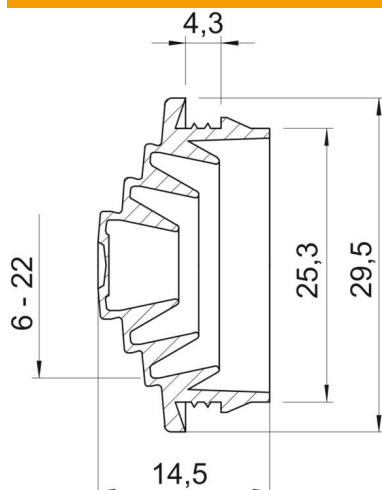
Technical data sheet

Plug-in seal EDVS, light grey

Item number: 2012383



Dimensions



Dimension A	4.3 mm
Dimension D1	29.5 mm
Dimension D2	25.3 mm
Dimension D3	6 mm
Maß D4	10 mm
Dimension D5	15 mm
Dimension D6	20
Dimension D7	22
Dimension L	14.5 mm
Dimension t	4.3 mm

Technical data

Version for	Cuttable
Flame-resistant	acc. to VDE 0471/DIN 695 Part 2-1, test temperature 650°C
for diameter, max.	22 mm
for diameter, min.	0 mm
for wall thickness, max.	4.3
for wall thickness, min.	3.9
Size	M25
Halogen-free	yes
Nominal diameter	25 mm
Protection rating	IP54