

Technical data sheet

VGA connection, 1 module, slanting outlet, with connection cable

Item no. 6104670



Multimedia support with one VGA connection socket, slanting cable outlet, with labelling panel, short VGA connection cable (HD15), socket-socket version. Support with locking fastening, suitable for horizontal and vertical installation in the system environment.

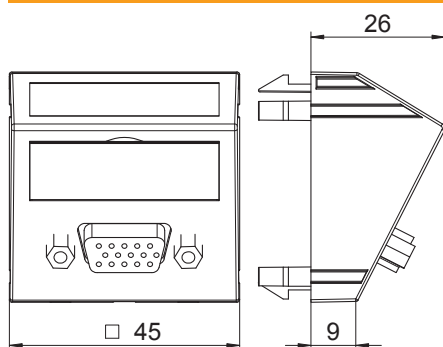
For installation in Rapid 45 device installation ducts, Rapid 80 device installation ducts, service poles and underfloor systems.

PC Polycarbonate

Master data

Item no.	6104670
Type	MTS-VGA F RW1
Description 1	Multimedia support, VGA
Description 2	with cable, socket-socket
Dimension	45x45mm
Colour	Pure white
RAL number	9010
Material	Polycarbonate
Material symbol	PC
Smallest sales unit (VG)	1 Piece
Weight	6,06 kg/100 pc.

Technical data



Width	45,00 mm
Height	45,00 mm
Depth	26,00 mm
Dimension	45 x 45 mm
Surface version	Matt
Number of units	1
Fastening type	Lock
Labelling panel	With labelling panel
Halogen-free	<input checked="" type="checkbox"/>
Hinged cover	<input type="checkbox"/>
Lamp-wire connector	<input type="checkbox"/>
With printed label	<input type="checkbox"/>
Mit Staubschutz	<input type="checkbox"/>
Protection rating	IP20
Support ring	<input type="checkbox"/>
Transparent	<input type="checkbox"/>
Use	VGA
Strain relief option	<input type="checkbox"/>
Combination	Basic element with central cover plate