

Technical data sheet

Aluminium wall cover, closed, 90170

Item number: 6279040



Wall cover, closed, to close wall penetrations during panel mounting. In the respective dimensions, it is also suitable as a ceiling cover for ISS service poles.



Alu Aluminium

Master data

Item number	6279040
Type	G-AWAG90170RW
Description 1	Wall cover
Description 2	closed
Manufacturer	OBO
Dimension	158x238x25
Colour	Pure white; RAL 9010
Material	Aluminium
Smallest sales unit	1
Unit of quantity	Piece
Weight	21.3 kg
Weight unit	kg/100 pc.

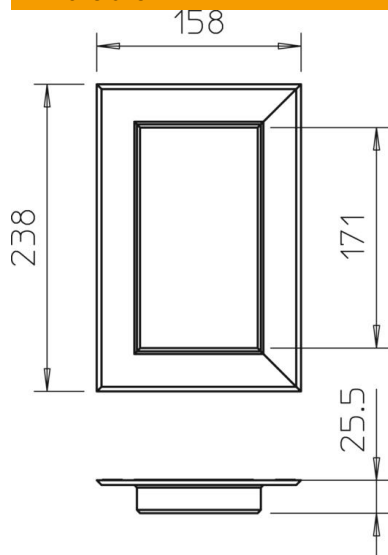
Technical data sheet

Aluminium wall cover, closed, 90170

Item number: 6279040



Dimensions



Length	25 mm
Width	238 mm
Height	158 mm

Technical data

Version for	Universal
Halogen-free	yes
Trunking depth	90 mm
Mounting type of the trunking	Wall