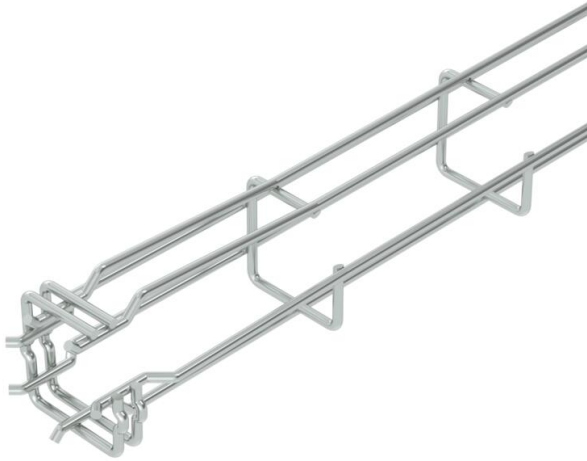


Technical data sheet

G mesh cable tray Magic® 50 G

Item number: 6005535



G-shaped mesh cable tray made of spot-welded steel wire with different side heights and widths.

Direct wall or ceiling mounting possible. Load capacity details regarding the different mounting methods are available upon request.

Magnetic shield insulation 15 dB.



St Steel

G Electrogalvanized

Master data

| | |
|---------------------|----------------------------|
| Item number | 6005535 |
| Type | G-GRM 50 50 G |
| Description 1 | G mesh cable tray Magic |
| Manufacturer | OBO |
| Dimension | 50x50x3000 |
| Material | Steel |
| Surface | Electrogalvanized |
| Surface standard | EN ISO 19598 / EN ISO 4042 |
| Smallest sales unit | 3 |
| Unit of quantity | Metre |
| Weight | 67.067 kg |
| Weight unit | kg/100 m |

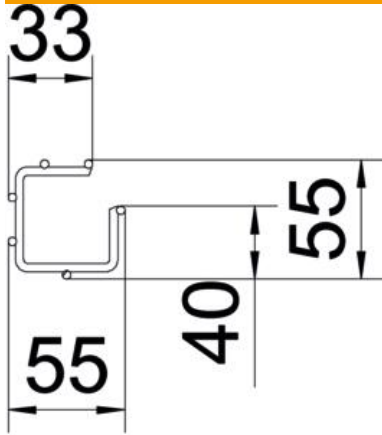
Technical data sheet

G mesh cable tray Magic® 50 G

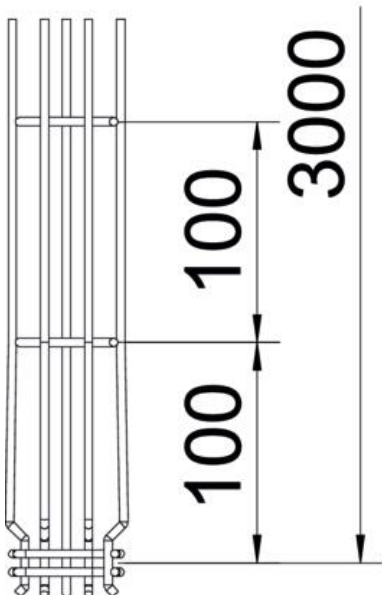
Item number: 6005535



Dimensions



| | |
|-------------|----------|
| Length | 3,000 mm |
| Width | 50 mm |
| Width | 1.97 in |
| Height | 50 mm |
| Height | 1.97 in |
| Dimension A | 38 mm |
| Dimension B | 55 mm |
| Dimension C | 33 mm |
| Dimension H | 55 mm |



Technical data sheet

G mesh cable tray Magic® 50 G

Item number: 6005535



Technical data

| | |
|-----------------------------------------|----------------------|
| Connector version | Integrated connector |
| Mounting system fastening type | Ceiling Wall |
| Maintain electrical functions | no |
| Integrated partition | Without |
| Usable cross-section | 17 cm ² |
| Usable cross-section | 1700 mm ² |
| Profile shape | G-shaped |
| Rustproof steel, pickled | no |
| Screwless connector | yes |
| Wide-span version | no |
| Load test type according to IEC 61537 | Type II |
| Type of connector, cable support system | Click fastening |

Loads

| | |
|-----------------------------------|-------|
| Insertable support spacings, min. | 1 m |
| Insertable support spacings, max. | 2.5 m |