

# Technical data sheet

Internal corner, asymmetrical, for device installation trunking Rapid 80 type GA-A70170  
Item number: 6279443



Internal corner for changing the direction of the Rapid 80 GA aluminium device installation trunking.  
The visible surfaces of the fittings are laminated.



<b>Alu</b>	Aluminium
<b>EL</b>	Anodised

## Master data

Item number	6279443
Type	GA-AI70170EL
Description 1	Internal corner
Description 2	asymmetrical
Manufacturer	OBO
Dimension	70x170x300
Material	Aluminium
Surface	Anodised
Surface standard	
Smallest sales unit	1
Unit of quantity	Piece
Weight	172 kg
Weight unit	kg/100 pc.

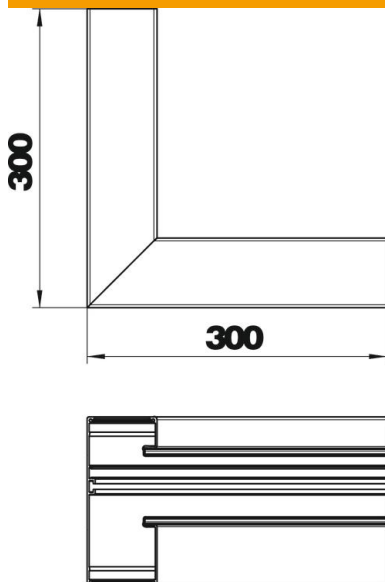
# Technical data sheet

Internal corner, asymmetrical, for device installation trunking Rapid 80 type GA-A70170

Item number: 6279443



## Dimensions



Length	300 mm
Width	170 mm
Height	70 mm

## Technical data

Number of covers	1
Version for	Base
Shape	Asymmetrical
Halogen-free	yes
Cable retaining clip	no
Duct connector	no
Cover mounting type	Internal
Mounting perforation in base	no
Cover width	76.5 mm
Protection rating	IP30
Protective film	yes
Protection rating IK code	IK10
Permitted temperature range, max.	60 °C
Permitted temperature range, min.	-25 °C
Angle range, min.	90 mm