

Technical data sheet

T piece, for device installation trunking Rapid 45-2 type GK-53160

Item number: 6116193



T piece, rising, for changing the direction of the Rapid 45 device installation trunking.



PVC Polyvinylchloride

Master data

Item number	6116193
Type	GEK-KT53160-3
Description 1	T piece
Manufacturer	OBO
Dimension	53x160
Colour	Pure white; RAL 9010
Material	Polyvinylchloride
Smallest sales unit	1
Unit of quantity	Piece
Weight	72 kg
Weight unit	kg/100 pc.

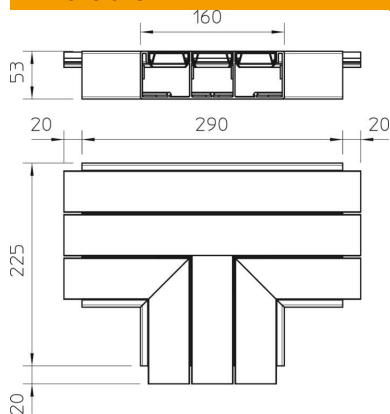
Technical data sheet

T piece, for device installation trunking Rapid 45-2 type GK-53160

Item number: 6116193



Dimensions



Length	290 mm
Width	160 mm
Height	53 mm

Technical data

Number of covers	2
Version for	Hood fitting
for duct width	100 mm
for trunking height	53 mm
Halogen-free	no
Cable retaining clip	no
Duct connector	no
Cover mounting type	Internal
Mounting perforation in base	no
Cover width 2	45 mm
Cover width 3	0 mm
Protection rating	IP30
Protective film	no
Protection rating IK code	IK08
Symmetrical	no
Permitted temperature range, max.	60 °C
Permitted temperature range, min.	-15 °C