

# Technical data sheet

## T piece adapter on WDK 40060

Item number: 6113324



T piece adapter to create a 90° junction from the system size Rapid 45-2 53130 to a cable trunking WDK40060.



Polycarbonate/Acrylnitrile-butadiene-styrene

### Master data

Item number	6113324
Type	GK-TA WDK 2AL
Description 1	T piece adaptor
Description 2	130 to WDK 40060
Manufacturer	OBO
Dimension	120x52x56
Colour	Aluminium
Material	Polycarbonate/Acrylnitrile-butadiene-styrene
Smallest sales unit	1
Unit of quantity	Piece
Weight	2.2 kg
Weight unit	kg/100 pc.

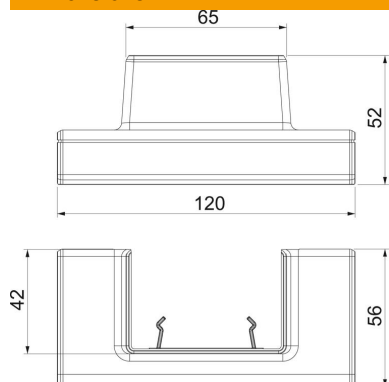
# Technical data sheet

## T piece adapter on WDK 40060

Item number: 6113324



### Dimensions



Length	120 mm
Width	52 mm
Height	55.5 mm

### Technical data

Number of covers	0
Version for	Hood fitting
for duct width	130 mm
for trunking height	53 mm
Halogen-free	yes
Cable retaining clip	no
Duct connector	no
Cover mounting type	Cross-over
Mounting perforation in base	no
Cover width	0 mm
Cover width 2	0 mm
Cover width 3	0 mm
Protection rating	IP40
Protective film	no
Protection rating IK code	IK08
Symmetrical	no
Permitted temperature range, max.	60 °C
Permitted temperature range, min.	-15 °C