

Technical data sheet

Clamping piece FS

Item number: 6015276



Hold-down clamp for fastening mesh cable trays on the ground or on stand-off brackets of type DBL.
Use on mesh cable trays with 50 x 100 mm grid only.



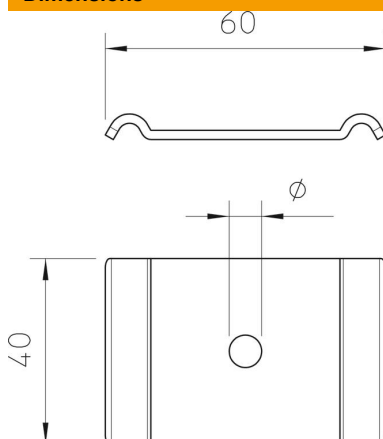
St Steel

FS Strip galvanized

Master data

Item number	6015276
Type	GKS 50 11 FS
Description 1	Hold-down clamp
Description 2	for screw M10
Manufacturer	OBO
Dimension	60x40
Material	Steel
Surface	Strip galvanized
Surface standard	DIN EN 10346
Smallest sales unit	50
Unit of quantity	Piece
Weight	4 kg
Weight unit	kg/100 pc.

Dimensions



Dimension | 60 x 40

Technical data sheet

Clamping piece FS

Item number: 6015276



Technical data

Suitable for mesh cable tray	yes
Suitable for cable ladder	no
Suitable for cable tray	no
Hole diameter	11 mm
Rustproof steel, pickled	no
Connection type	Miscellaneous