

Technical data sheet

Mounting bracket, 90° with 3 holes A4

Item number: 1124741



Mounting bracket with three holes to connect profile rails 41 x 41 mm and 41 x 21 mm at an angle of 90°.



CE

A4 Stainless steel

2B Bright, treated

Master data

Item number	1124741
Type	GMS 3 VW 90 A4
Description 1	Connection bracket
Description 2	90°, with 3 holes
Manufacturer	OBO
Dimension	105x53x40x4
Material	Stainless steel
Surface	Bright, treated
Surface standard	
Smallest sales unit	10
Unit of quantity	Piece
Weight	17.7 kg
Weight unit	kg/100 pc.

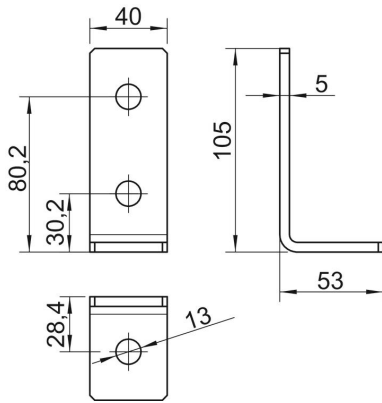
Technical data sheet

Mounting bracket, 90° with 3 holes A4

Item number: 1124741



Dimensions



Length	105 mm
Width	40 mm
Height	53 mm

Technical data

Version for	90° angle
Version for	Bracket
Suitable for profile shapes	C profile
Hole size	13 mm
Material thickness	4 mm
With screw accessories	no
Rustproof steel, pickled	no