

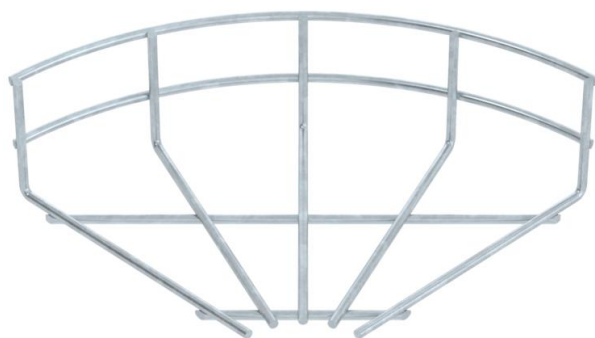
Technical data sheet

90° mesh cable tray bend FT

Item number: 6002222



90° bend, horizontal, for all mesh cable trays of 55 mm side height.



St Steel

FT Hot-dip galvanised

Master data

Item number	6002222
Type	GRB 90 515 FT
Description 1	90° mesh cable tray bend
Manufacturer	OBO
Dimension	55x150
Material	Steel
Surface	Hot-dip galvanised
Surface standard	DIN EN ISO 1461
Smallest sales unit	1
Unit of quantity	Piece
Weight	15.1 kg
Weight unit	kg/100 pc.

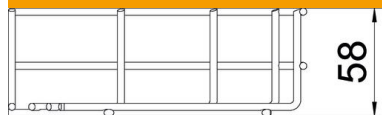
Technical data sheet

90° mesh cable tray bend FT

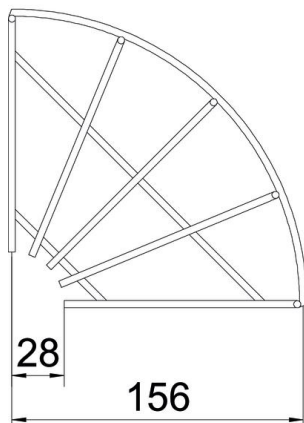
Item number: 6002222



Dimensions



Width	150 mm
Width	5.91 in
Height	55 mm



Technical data

Bend (angle)	90°
Connector version	Without connectors
Type	Horizontal bend
Maintain electrical functions	no
Rustproof steel, pickled	no