

Technical data sheet

External corner, asymmetrical, for device installation trunking Rapid 80 type GS-A70130

Item number: 6277410



External corner for changing the direction of the GS device installation trunking.



St Steel

Master data

| | |
|---------------------|----------------------|
| Item number | 6277410 |
| Type | GS-AA70130RW |
| Description 1 | External corner |
| Description 2 | asymmetrical |
| Manufacturer | OBO |
| Dimension | 70x130x300 |
| Colour | Pure white; RAL 9010 |
| Material | Steel |
| Smallest sales unit | 1 |
| Unit of quantity | Piece |
| Weight | 193 kg |
| Weight unit | kg/100 pc. |

Technical data sheet

External corner, asymmetrical, for device installation trunking Rapid 80 type GS-A70130

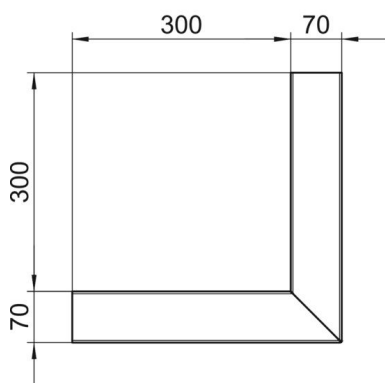
Item number: 6277410



Dimensions



| | |
|--------|--------|
| Length | 300 mm |
| Width | 130 mm |
| Height | 70 mm |



Technical data

| | |
|-----------------------------------|----------|
| Number of covers | 1 |
| Version for | Base |
| for duct width | 130 mm |
| for trunking height | 70 mm |
| Halogen-free | yes |
| Cable retaining clip | no |
| Duct connector | no |
| Cover mounting type | Internal |
| Mounting perforation in base | yes |
| Cover width | 76.5 mm |
| Protection rating | IP30 |
| Protective film | yes |
| Protection rating IK code | IK10 |
| Symmetrical | no |
| Permitted temperature range, max. | 60 °C |
| Permitted temperature range, min. | -25 °C |
| Angle range, min. | 90 mm |