

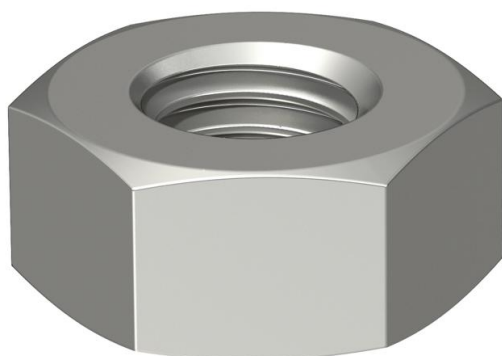
Technical data sheet

Hexagonal nut DIN 934 V5A

Item number: 3400185



Hexagonal nut to DIN 934 with metric thread.



A5 Stainless steel

Master data

Item number	3400185
Type	HN M8 A5
Description 1	Hexagonal nut
Manufacturer	OBO
Dimension	M8
Material	Stainless steel
Smallest sales unit	100
Unit of quantity	Piece
Weight	0.52 kg
Weight unit	kg/100 pc.

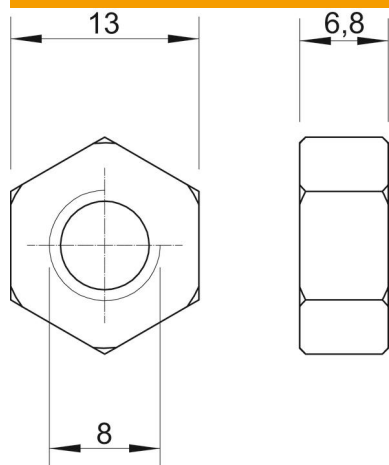
Technical data sheet

Hexagonal nut DIN 934 V5A

Item number: 3400185



Dimensions



Dimension d	8 mm
Dimension h	6.8 mm

Technical data

Resistance grade	8
Thread	M8
Thread metric	8
Thread type	Metric
Halogen-free	yes
With flange	no
WAF	13
Self-locking	no
Left thread	no
Thread, imperial	5/16"
Nut version	Nut
Screw system nut	Hexagon head